

**DESCRIPTION**

Trace-Lite's CBLS Series of switchable LED center basket luminaires offers incredible performance in an energy-efficient, slim profile steel enclosure. Available in 2' x 2' and 2' x 4' configurations, it offers up to 128 LPW to maximize energy savings and utility rebates. The unit provides ultimate flexibility while minimizing inventory by simply adjusting both CCT and wattage. The color temperature can easily be switched between 3500K, 4000K and 5000K. The 2'x2' configuration can be adjusted between 24W and 36W and the 2' x 4' configuration can be adjusted between 36W, 42W and 50W. The CBLS is designed to deliver general ambient lighting in a variety of indoor settings, including schools, offices, hospitals and stores, and is the perfect choice for both new construction and retrofits. This high-efficacy luminaire provides long-life, uniform illumination, standard 0-10VDC dimming capability as well as egress lighting, thus making it the ideal choice for your troffer lighting needs. All troffers packaged in a quantity of two.

**SPECIFICATIONS**

**Construction:**

- Precision die-formed steel housing in a white finish
- Low-profile design, only 1.8" thick
- Recessed design fits most standard T-bar grid ceilings
- Wattage and CCT switches located on driver junction box
- Large driver box for easy installation and wiring

**Optics/LEDs:**

- UV-stabilized polycarbonate diffused lens providing uniform soft light, 120° distribution. Lens can be removed for maintenance.
- Efficacies up to 128 LPW to maximize energy savings and utility rebates
- Switchable from 3500K, 4000K and 5000K CCT. Switch located on driver box
- CRI ≥80
- L70 >100,000 hours
- Reported L90 of 50,000 hours

**Electrical:**

- 120-277VAC, 50/60Hz
- 0-10V Dimming driver
- Power switchable, 2' x 2' configuration between 24W and 36W, 2' x 4' configuration between 36W, 42W and 50W. Switch located on driver box behind the unit
- Power supply with high power factor of 90% typical

**Installation:**

- Unit simply lifts through grid ceiling and rests on T-bars
- Easy installation in new construction or retrofit
- Standard recessed mounting in most 2' x 2' or 2' x 4' grid ceilings
- Earthquake clips included
- Easily set wattage and CCT during installation using the adjustment switches located on the driver box

**Options:**

- Integral battery backup offers 900 lumens and over 90 minutes of emergency powered illumination. Rated for ambient temperatures of 10°C to 40°C (50°F to 104°F)

**Accessories:**

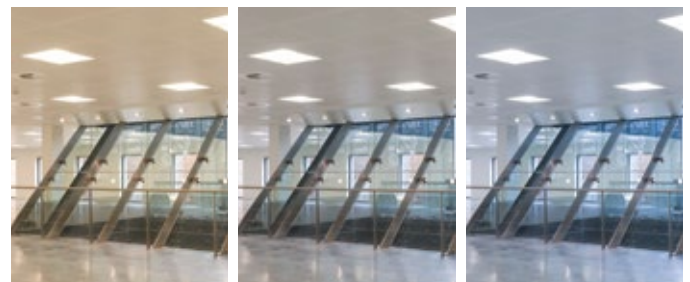
- Optional surface mount kit (LPA22-SMK and LPA24-SMK)
- Optional flange mount kit (LP22-FMK and LP24-FMK)
- Cable suspension mount kit (LPA-CMK)

**Warranty:**

- Five Year Warranty (Terms and Conditions Apply)

Model: \_\_\_\_\_ Date: \_\_\_\_\_  
 Accessories: \_\_\_\_\_  
 Job Name: \_\_\_\_\_ Type: \_\_\_\_\_

**AVAILABLE WHILE SUPPLIES LAST**



3500K

4000K

5000K



Specs at a Glance*		* Nominal Wattage (Switchable)			
Configuration	CBLS-22 (2' x 2')	CBLS-24 (2' x 4')			
CCT (K)	3500K-4000K-5000K (Switchable)				
Wattage (W)*	24W	36W	36W	42W	50W
Lumens (lm)	3000-3072	4500-4608	4500-4620	5250-5380	6200-6400
Efficacy (LPW)	125-128 LPW				
CRI	≥80				
Input Voltage	120-277VAC, 50/60Hz, 0-10V Dimmable				
Operating Temp	-10°C to 40°C (14°F to 104°F)				
Certifications	cETL Listed for Damp Locations, IC rated				
Warranty	5 Years				
Weight**	7.7 lbs	15 lbs			

\*\* Net weight without battery backup

Note: Environment and application will affect performance. Typical values and 25°C used for testing. Specifications subject to change without notice.

**Testing & Compliance:**

- cETL Listed for Damp Locations, rated for insulated ceiling (IC rated)
- Operating temperatures: -10°C to 40°C (14°F to 104°F)

**Ordering Information** (Example: CBLS-22-CP)

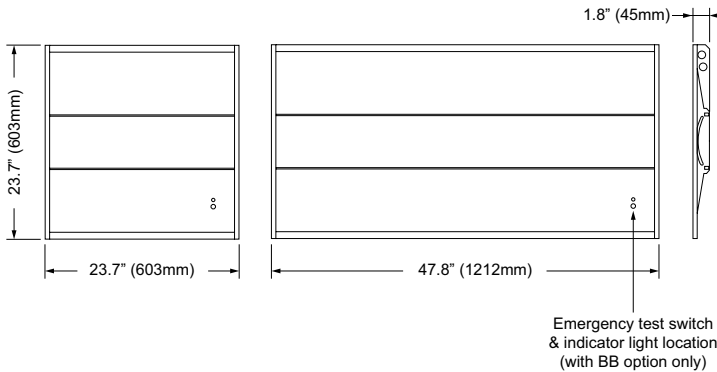
Model <sup>1</sup>	Size	CCT	Options (Factory Installed)
CBLS	22 = 2' x 2' 24 = 2' x 4'	CP = 3500K-4000K-5000K (Switchable)	BB - Battery Backup
			<b>Accessories<sup>2</sup> (Field Installed)</b>
			LPA-CMK = Cable Suspension Mount Kit
			LP22-FMK = 2' X 2' Flange Mount Kit
			LP24-FMK = 2' X 4' Flange Mount Kit
			LPA22-SMK = 2' x 2' Surface Mount Kit
			LPA24-SMK = 2' x 4' Surface Mount Kit

**Notes**

<sup>1</sup> All panels are packaged in quantity of two (2pcs/carton)

<sup>2</sup> Order as a separate line item. Shipped in a separate box for final installation in the field

**Dimensions**



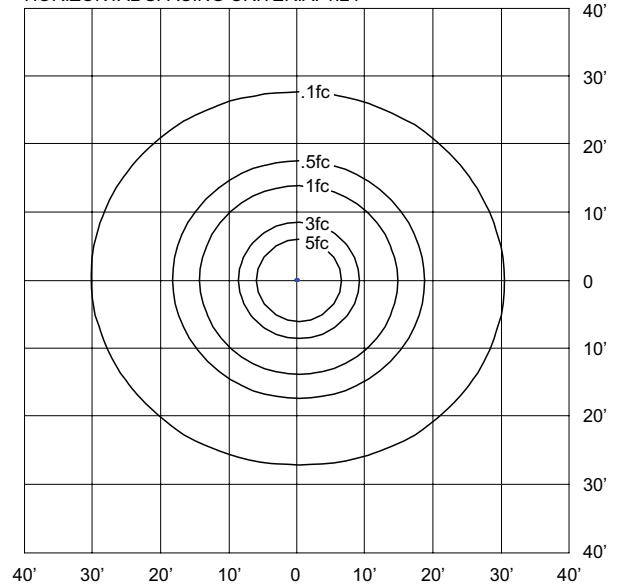
**Switch Location Detail**



**Sample Photometry**

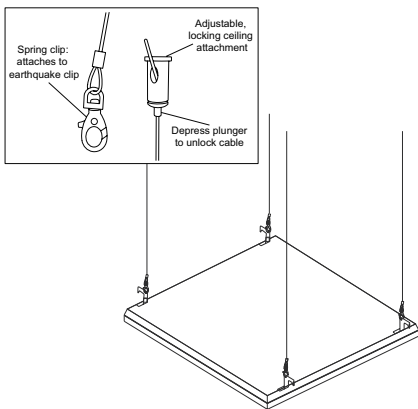
**CBLS-22-CP: 24W, 3500K CCT**

IES: TYPE VS Very Short  
MOUNTING HEIGHT: 10'  
TILT: ZERO  
HORIZONTAL SPACING CRITERIA: 1.24



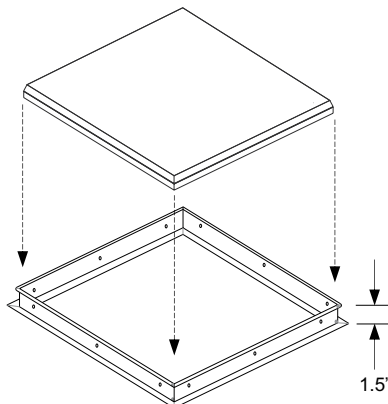
**Cable Mount Kit (LPA-CMK)**

Optional cable mounting kit (LP-CMK) allows for suspended installations from any ceiling type. (6 pcs/kit, 3.2' length)



**Flange Mount Kit (LPXX-FMK)**

Optional flange kit (LP22-FMK, LP24-FMK) mounts above the drywall ceiling and allows the panel to be mounted flush to the ceiling.



**Surface Mount Kit (LPXX-SMK)**

Optional surface mount kit (LP22-SMK, LP24-SMK) allows for installation on plaster or other hard ceilings.

