



Wave

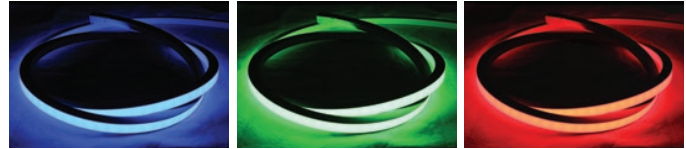
LED FLEXIBLE BORDER TUBE



LED FLEXIBLE BORDER TUBE



The WAVE offers additional flexibility to your creative designs due to its back to front bending orientation. Corners and angles can now be installed seamlessly.

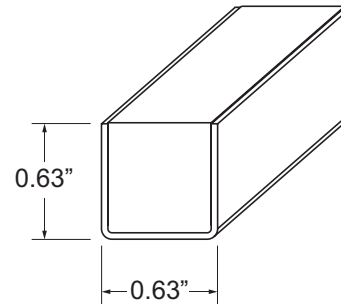


Standard Features

- Flexible PVC housing can conform to almost any angle, virtually unbreakable
- Available in red, blue, green and several color temperatures of white
- RGB version allows you to reproduce a broad array of colors that can be changed utilizing a DMX controller
- Energy efficient LEDs consume 3.4W/ft or less, saving up to 70% or more over traditional neon
- Opaque jacket housing with "colored" LEDs every .04 inches
- Uniform lighting with no "hotspots"
- Indoor and outdoor IP68 rated - salt, fog and chlorine tested
- Easy to install using either aluminum mounting clips or 3' extruded aluminum mounting channels
- Can be run in 65' lengths with power connected to both ends
- Dimmable to 100% with magnetic dimmer (supplied by others) and dimming transformer
- Field cuttable every 2.19"
- 5 year warranty
- Full offering of connectors, accessories and transformers

Applications

- Borders
- Bridges
- Gazebos
- Roof lines
- Accent lighting
- Direct view installation



Ordering Information

Example: WAVE-WW-80-24V

Series	Color	Length	Voltage
WAVE	WW ¹ = Warm White (2700K)	R = Red	65 = 65 Feet
	WP ¹ = Pure White (3500K)	G = Green	XX ³ = Custom Length
	WC ¹ = Cool White (4500K)	B = Blue	
	WD ¹ = Daylight White (5700K)	RGB ² = Color Changing	

Notes

- ¹ Color temperature can vary $\pm 5\%$
- ² Requires DMX controller, ordered separately
- ³ Custom lengths ordered in feet (.1825 increments)
- ⁴ Requires transformer, ordered separately