

### DESCRIPTION

specialtyLED's RGBWRD recessed downlight features an extremely thin design which provides even illumination with no visible hot spots or shadows. Unlike standard solid white LED downlights, color-changing downlights have a wide variety of installation options including setting a mood in a restaurant or school, adding rolling color in a coffee shop, or being a colorful backdrop in a bar. These colorful downlights are extremely versatile in their uses and are only limited by your imagination. New construction applications only.

### SPECIFICATIONS

#### Construction:

- Available in 4", 6", 8" and 11" configurations
- Die-cast aluminum frame with white finish

#### Optics/LEDs:

- Polycarbonate diffuser
- SMD2835 RGBW Epistar chips, gold wire, low light decay:
  - R: 620-630nm
  - G: 520-525nm
  - B: 460-470nm
  - W: 2700K-6500K CCT
- CRI ≥80
- Beam angle: 170°

#### Electrical:

- Input 24VDC (Purchase with either D-JB or RF accessory for 120VAC input)
- 2W to 20W depending on color
- Available accessories (sold separately): LED control/driver combination with hand held remote (RF) or addressable decoder with driver to connect to a building DMX, includes junction box (D-JB)

#### Testing & Compliance:

- IP20 Rated
- Operating temperatures: -20°C to 50°C (-4°F to 122°F)

#### Installation:

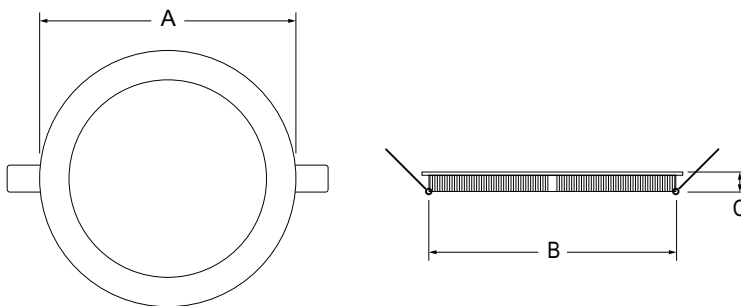
- Suitable for new construction applications only

#### Warranty:

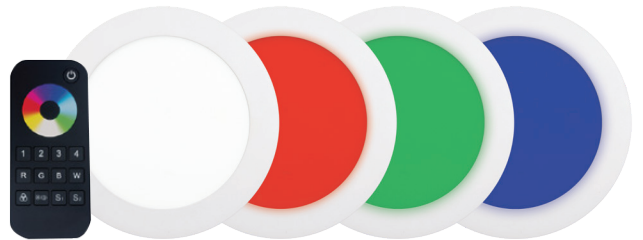
- Five year limited warranty (Terms and Conditions Apply)

### DIMENSIONS

Model	Trim Diameter (A)	Inside Diameter (B)	Depth (C)
RGBWRD4	4.72"	4.13"	0.472"
RGBWRD6	6.69"	6.10"	0.472"
RGBWRD8	8.85"	8.07"	0.472"
RGBWRD11	11.81"	11.02"	0.472"



Model: \_\_\_\_\_ Date: \_\_\_\_\_  
 Accessories: \_\_\_\_\_  
 Job Name: \_\_\_\_\_ Type: \_\_\_\_\_



Hand Held Remote,  
Includes Driver (RF)



Decoder/Driver Combination Accessory  
Includes J-Box (D-JB)



Sping Clips for  
Easy Installation



Specs at a Glance				* Nominal Wattage
Configuration	RGBWRD4	RGBWRD6	RGBWRD8	RGBWRD11
White Wattage*	6W	10W	15W	20W
RGB Wattage*	2W (each color)	3W (each color)	5W (each color)	6W (each color)
CCT (K)	R: 620-630nm G: 520-525nm B: 460-470nm W: 2700K-6500K CCT			
Efficacy (LPW)	75			
CRI	≥80			
Input Voltage	24VDC (Purchase with either D-JB or RF accessory for 120VAC input)			
Certifications	UL Listed, IP20 Rated			
Operating Temp	-20°C to 50°C (-4°F to 122°F)			
Warranty	5 Years			

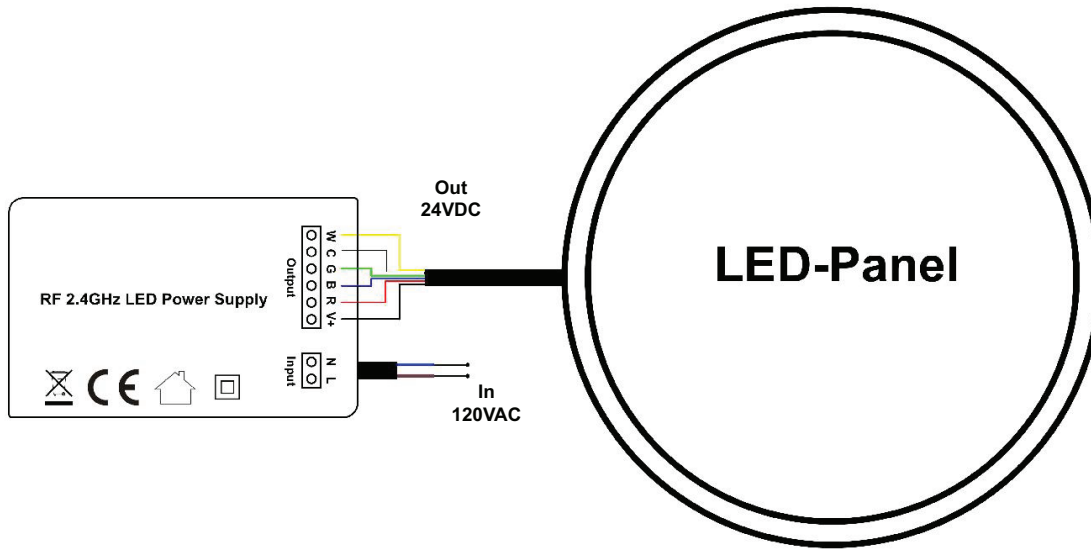
Note: Environment and application will affect performance. Typical values and 25°C used for testing. Specifications subject to change without notice.

**ORDERING INFORMATION** (Example: RGBWRD8)

Model	Description
RGBWRD4	LED RGB+W Recessed Downlight, 4" Diameter, Red/Green/Blue w/ Tunable White LEDs (2700K - 6500K), 24VDC (Purchase with either D-JB or RF accessory for 120VAC input)
RGBWRD6	LED RGB+W Recessed Downlight, 6" Diameter, Red/Green/Blue w/ Tunable White LEDs (2700K - 6500K), 24VDC (Purchase with either D-JB or RF accessory for 120VAC input)
RGBWRD8	LED RGB+W Recessed Downlight, 8" Diameter, Red/Green/Blue w/ Tunable White LEDs (2700K - 6500K), 24VDC (Purchase with either D-JB or RF accessory for 120VAC input)
RGBWRD11	LED RGB+W Recessed Downlight, 11" Diameter, Red/Green/Blue w/ Tunable White LEDs (2700K - 6500K), 24VDC (Purchase with either D-JB or RF accessory for 120VAC input)

	Accessories <sup>1</sup> (Field installed)
	D-JB <sup>2</sup> = Addressable Decoder With Driver (120VAC Input) To Connect To A Building DMX, Includes Junction Box
	RF = LED Control/Driver Combination (120VAC Input) With Hand Held Remote
	DMX4-RGB-WHEEL = DMX512, Multi Zone, Touch Panel Controller. 5AX4CH, 24VDC, (Requires DMX4-JBOX for Mounting)
<b>Notes</b>	DMX4-JBOX = Type 86 Junction Box for the DMX4-RGB-Wheel Controller
<sup>1</sup> Order as separate line item	STICK-KE2 = Ribbon Flex, DMX Controller Keypad, Black (Requires POWER4M)
<sup>2</sup> Does not include RF remote and controller	POWER4M = 6VDC, 0.65A Power Adapter for STICK-KE2

**WIRING DIAGRAM (RF Accessory)**



**WIRING DIAGRAM (D-JB Accessory)**

