

RK Series

Linear LED Retrofit Kit



DESCRIPTION

The TRACE*LITE RK Series is an LED Retrofit Kit engineered to convert fluorescent strip applications to premium performance, high efficiency LED. High output LED light engines are encased in an impact resistant diffusing lens that provides remarkable uniformity and light quality without glare and no pixilation. This easy to install kit is ideal for retrofitting existing fluorescent strip installations in schools, warehouses, distribution centers, retail applications, and manufacturing facilities.

The RK Series is available in three lengths (2', 4' and 8') and includes:

- A linear LED light engine with an extruded heat sink and diffuse outer lens with end caps, mounted to a steel cover plate
- Driver
- Mounting hardware

The cover plate facilitates installation directly to fluorescent strip housing with the self-tapping screws provided. 0-10V dimming drivers standard for controls-ready applications. The RK is the perfect solution to upgrade your existing fluorescent strips, providing an architectural appearance with high performance, even light distribution.

AVAILABLE WHILE SUPPLIES LAST



SPECIFICATIONS

Construction:

- Durable extruded aluminum housing are supplied in a clear (SV) or black (BL) anodized finish
- Steel formed 22 guage cover plate, white finish
- Impact resistant polycarbonate diffuse lens
- Aluminum core PCB optimizes thermal management

Optics/ LEDs:

- Standard with polycarbonate diffusing lens offering a soft, even light distribution with no pixilations
- Standard 4000K CCT, contact factory for other color temperatures
- L70 rating of 130,000 hours
- Excellent color quality with a typical CRI of ≥ 85 at 4000K CCT

Electrical:

- Class 2 power supply, voltage sensing 120~277VAC
- One constant current driver in 15w, 30w and 60w versions, two constant current drivers in 120w version
- Standard 0-10V dimming driver
- L70 rated for 130,000 hours

Installation:

- Supplied with self-tapping screws for installation to existing fixture
- Minimum fixture dimensions required = 2.70" wide by 1.75" high

Testing & Compliance:

- Assembled in USA
- Operating temperature: 0°C to 40°C (32°F to 104°F)

Warranty:

- 5 Year Warranty

Specs At A Glance						
Strip Length	2' (610mm)		4' (1220mm)		8' (2440mm)	
Wattage (w)	15	30	30	60	60	120
Lumens (lm)	1,212	2,433	2,560	5,137	5,160	10,274
Efficacy (lm/w)	>80					
CCT (K)	4000					
CRI	85					
Optics	Impact Resistant Diffuser, 120 deg					
Input Voltage	120 - 277VAC					
Ambient Temp	0°C to 40°C (32°F to 104°F)					
Warranty	5 Years					

Model: _____ Date: _____
 Accessories: _____
 Job Name: _____ Type: _____

Ordering Information (Example: RK-4-30-VS-4K-SV)

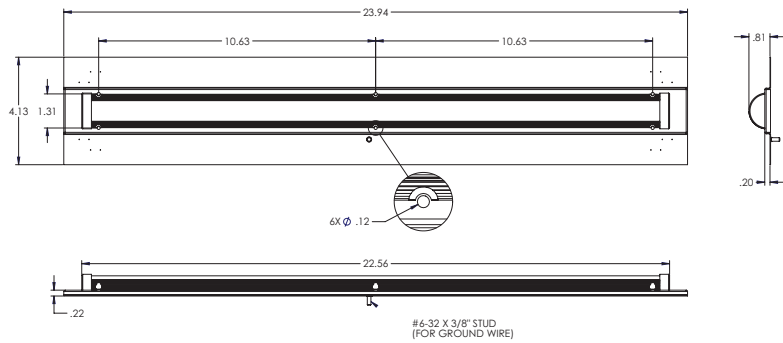
Series	Wattage/Length	Input Voltage	CCT	Color (Extrusion)
RK	2-15 ¹ = 15 Watts, 2' Long, 1250 Lumens	VS = 120~277VAC Voltage Sensing	4K = 4000K CCT	BL = Black
	2-30 ¹ = 30 Watts, 2' Long, 2648 Lumens			SV = Silver
	4-30 = 30 Watts, 4' Long, 3000 Lumens			
	4-60 = 60 Watts, 4' Long, 5296 Lumens			
	8-60 ² = 60 Watts, 8' Long, 6000 Lumens			
	8-120 ³ = 120 Watts, 8' Long, 10,592 Lumens			

Notes

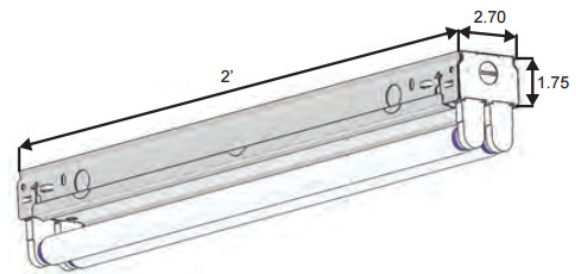
- ¹ 2ft model made to order – contact factory for leadtime
- ² Composed of two 4' kits (1 driver)
- ³ Composed of two 4' kits (2 drivers)
- ⁴ Order as a separate line item – shipped in separate box for final

Dimensions

2ft Model



Minimum Fixture Dimensions Req'd for Installation



4ft Model

