

IMPORTANT SAFEGUARDS READ AND FOLLOW ALL SAFETY INSTRUCTIONS.

When using electrical equipment, basic safety precautions should always be followed including the following:

- **DISCONNECT AC POWER SUPPLY BEFORE SERVICING.**
- Installation and servicing of this equipment should be performed by qualified service personnel only.
- Ensure the electrical wiring conform to the National Electrical Code and local regulations if applicable.
- Do not mount near gas or electrical heaters.
- Equipment should be mounted in locations and at heights where it will not be readily subjected to tampering by unauthorized personnel.
- The use of accessory equipment not recommended by the manufacturer may cause an unsafe condition.
- Any modification or use of non-original components will void the warranty and product liability.
- Do not use this equipment for other than intended use.

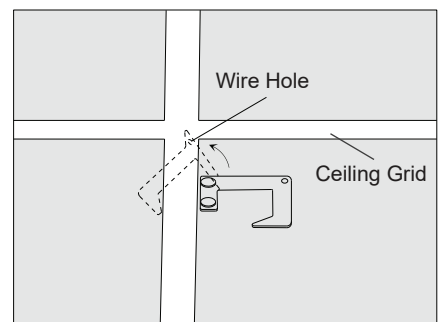
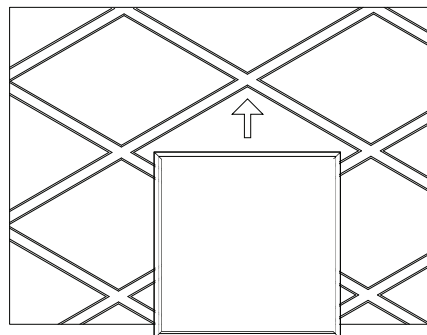
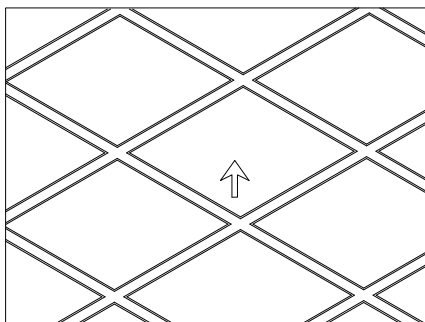
SAVE THESE INSTRUCTIONS!



INSTALLATION INSTRUCTIONS

Recessed Grid Ceilings

1. Remove ceiling panel and neighboring panels to gain further access.
2. Place LPA lens face down on flat, clean surface and remove junction box cover and set aside.
3. Remove the desired knockout and connect the panel's supply wires to the power supply.
(See **Wiring Connections** section)
4. Take LPA fixture and rotate 45° and lift up then through ceiling grid.
5. Locate (4 or 6) earthquake clips, pull tabs upright and twist out then place fixture on T-bar to hold in place



6. Secure to ceiling with steel wires attached to earthquake clips.
7. If dimming control device is used, run low voltage control wires into the driver junction box.

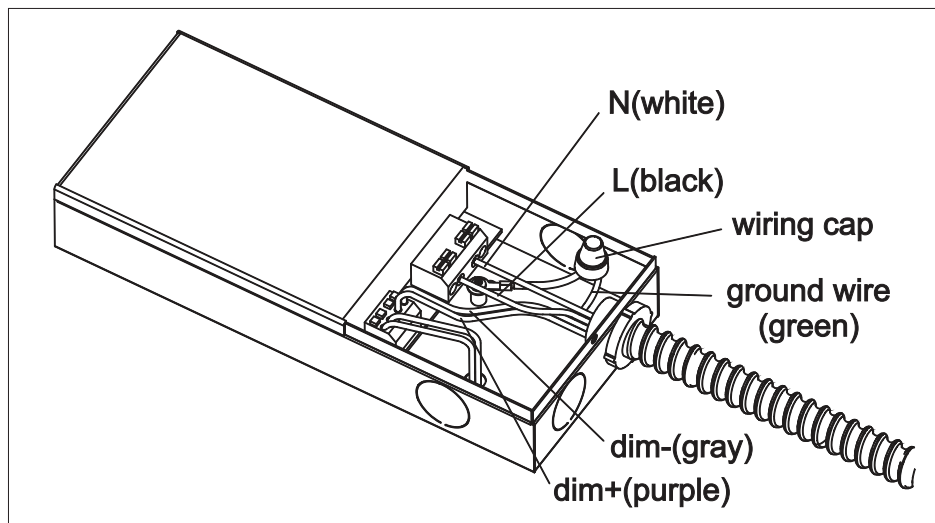
Wiring Connections

Electrical connections should be made inside driver housing.

- a. Remove screw and open cover.
- b. Connect the line fixture lead to the black supply lead.
- c. Connect the common fixture lead to the white supply lead
- d. Connect the ground lead from the service to the green grounding screw or to the ground lead coming from the housing.
- e. If dimming wires are not used, make sure they are capped.
- f. Close cover and secure with the screw.

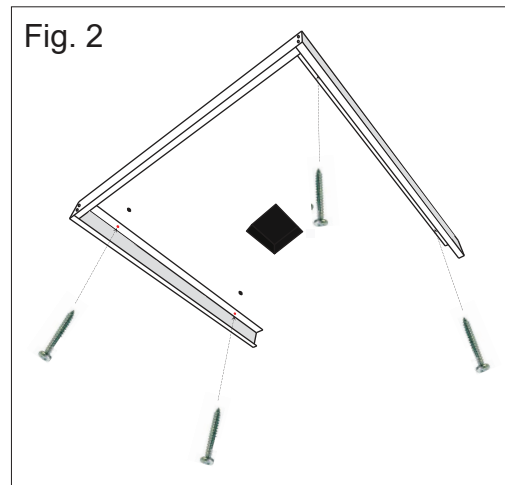
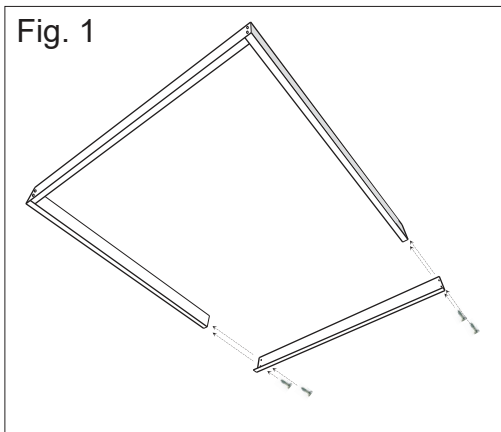
This fixture auto adjust for voltages between 120VAC - 277VAC

Wiring Diagram.



Surface-Mounted Installation (Requires SMK kit - Sold separately)

1. Locate area where panel will be installed
2. Assemble (4) sides, Inserting all screws into SMK holes (Fig. 1) of the surface mounting bracket and mark where holes will be drilled in the ceiling.
3. Drill (4) small holes in the ceiling's surface, and install anchors to secure the bracket to the ceiling. (Fig. 2)
4. Remove one side of the bracket and attach the SMK to the ceiling.



5. Connect the LPA to incoming power line (see Wiring Diagram) (Fig. 3).
6. Lift then slide LPA face down through opening of the bracket frame.
7. Re-install the 4th side of the bracket and secure to the ceiling. (Fig. 4)

