

DESCRIPTION

The Trace-lite TL402-CF Series is ideal for parking areas, entrances, walkways, underpasses, loading docks, recreation areas, or anywhere extra security is required.

SPECIFICATIONS

Construction:

The Trace-lite TL402-CF Series features a durable, corrosion-resistant, die-cast aluminum enclosure with an architectural bronze or white powder coated finish. Enclosure is fully sealed and gasketed, and is suitable for wet locations and includes corrosion-resistant hardware. The TL402-CF features an internal, anodized aluminum reflector which provides ideal light distribution, and the lamp(s) are protected by a vandal-resistant, UV stabilized polycarbonate prismatic refractor.

Lamps & Ballasts

Compact Fluorescent: 4-Pin Triple Tube lamp 84 watts, utilizing a gX24-q3 base with an electronic programmed start ballast rated for a minimum operating temperature of -20°C (-4°F).

Installation:

The Trace-lite TL402-CF Series can be mounted to any horizontal surface, and is easily wired either to a recessed J-box or by using surface mounted conduits.

Photocontrol (Accessory: PC):

Optional field-installed photocontrol provides dusk-till-dawn security. Input voltage must be specified to match fixture input voltage.

Listing:

The TL402-CF is suitable for wet locations.

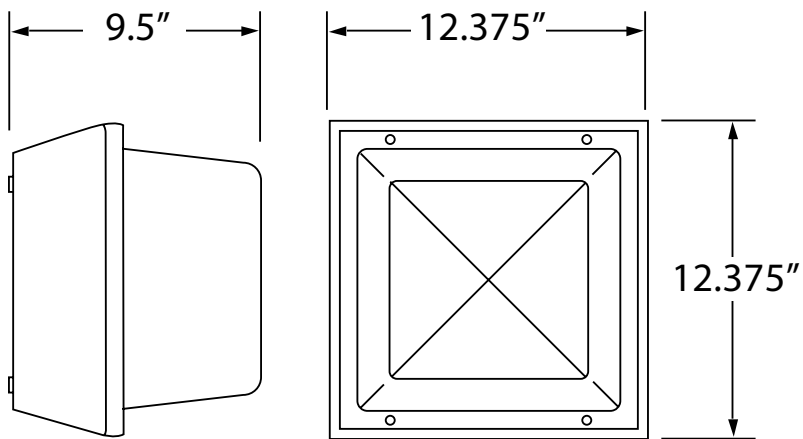
Warranty:

Any housing component that fails due to manufacturer's defect is guaranteed for two years from time of shipment. Ballasts, Capacitors, and Ignitors are warranted for one year from time of shipment. Warranty does not apply to damages caused by improper installation, abuse, fire or acts of God. Lamp is not covered by manufacturer's warranty.

Model: _____ Date: _____
Accessories: _____
Job Name: _____ Type: _____



DIMENSIONS



Approximate Weight: 18 lbs.

ORDERING INFORMATION

Example: TL402-CF-84-120/277

| Series | Lamp Type | Lamp Wattage | Input Voltage | Accessories ¹ (Field Installed) |
|--------|--------------------------|-------------------|----------------------|--|
| TL402 | CF = Compact Fluorescent | 84 = 2 x 42 Watts | 120/277 = 120/277VAC | PC1 = 120VAC Photocontrol PC2 = 208-277VAC Photocontrol |

Notes

¹ Order as separate line item