

The 600E Series is the brightest most visible sign in the industry in both normal and smoke-filled environments. Constructed of durable 20 gauge steel, this direct view exit sign provides bright illumination with individual LEDs spelling the word EXIT, includes a decorative steel frame on face.

Model: _____ Date: _____
 Accessories: _____
 Job Name: _____ Type: _____

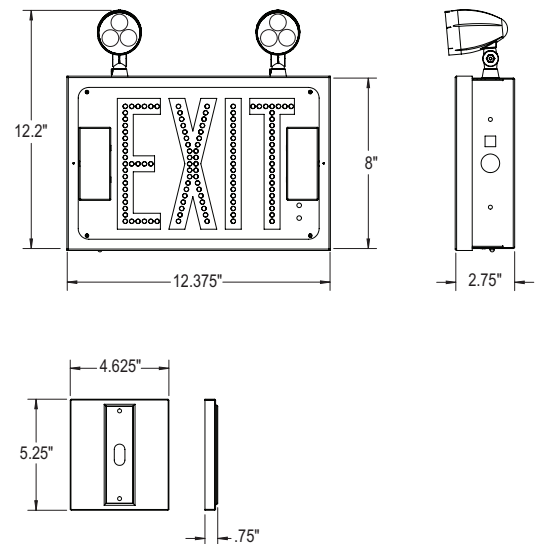
FEATURES & BENEFITS

- Enclosure constructed of rugged 20 gauge steel
- Solid 1/8" thick, vandal-resistant, polycarbonate lens
- Field-selectable directional chevrons
- Combination exit/emergency light option available (REN3)
- Optional Guardian Self-diagnostics (G1) available
- Assembled in the USA with global components



SPECIFICATIONS

- Illumination:** Long-life, high-intensity, red or green LEDs.
- Housing:** Rugged 20 gauge steel housing with 1/8" thick, vandal-resistant, polycarbonate lens
- Input:** 120/277VAC dual primary, 50/60Hz
- Battery:** Maintenance-free NiMH battery, or sealed lead calcium battery (G1)
- Run Time:** UL Listed 90 minute emergency run time, 24 hour recharge time
- Electrical:** Low voltage disconnect eliminates deep discharge, brownout, short circuit and voltage surge protection
- Legend:** Fully-illuminated 6" characters with 3/4" stroke and field-selectable directional chevrons
- Mounting:** Ceiling, end or wall mounted, canopy included
- Finishes:** Black or White
- Options:** G1 = Self-diagnostics
 DL = Downlight
 DR = Damp Location Rated
 REN3 = (2) Renegade PAR16 2.6W LED Lamps
- Certifications:** UL Listed and meets or exceeds the following: NEC requirements and NFPA 101.
- Warranty:** Any component that fails due to a manufacturing defect is guaranteed for 25 years with a separate five year prorated warranty on the battery. The warranty does not cover physical damage, abuse or instances of uncontrollable natural forces. See the full Exitronix warranty document for detailed information. (Terms and Conditions apply)



ORDERING INFORMATION Example: 602E-WB-WH-G1

Series	Power Source	Finish	Options (Factory Installed)	Accessories ⁷ (Field Installed)
602E = Red Single-face	LB = AC Only	BL = Black	C6 ² = White Face w/Red Letters	ER1-KIT = 1' Pendant Mount Kit
603E = Red Double-face	WB = NiMH Battery (Std)	WH = White	C10 ³ = White Face w/Green Letters	ER2-KIT = 2' Pendant Mount Kit
G602E = Green Single-face	2CI1 ¹ = 2 Circuit Input 120/120V		DL ⁴ = Downlight	TRHT-6H-8H = Tamper Tool
G603E = Green Double-face	2CI7 ¹ = 2 Circuit Input 277/277V		DR = Damp Location Rated	WG-S = Wire Guard (Back Mount)
	2CI17 ¹ = 2 Circuit Input 120/277V		G1 ⁵ = Self-diagnostics	XG-1 = Poly Guard (Back Mount)
Notes			TRH ⁶ = Tamper-Resistant Hardware	XG-3 = Poly Guard (Ceiling Mount)
¹ Not available with G1 option			Combo Option	
² Only available with 602E and 603E			REN3 ^{4,5} = (2) Renegade 2.6W PAR16 LED Lamps	
³ Only available with G602E and G603E				
⁴ Not UL Listed option				
⁵ Only available with WB (sealed lead calcium battery) and G1 (Self-diagnostics)				
⁶ Must order Tamper Tool (TRHT-6H-8H) as separate line item				
⁷ Order as separate line item				

CONSTRUCTION

Our specification grade 600E series enclosure, faceplate, and mounting canopy are 20 gauge galvanized steel with decorative powder coat paint. Faceplate has 3/4" black letters with red or green LEDs. 1/8" polycarbonate shield protects LEDs from impact. Optional faceplates are available.

ILLUMINATION

Illumination of the 600E series is accomplished utilizing high-intensity, long-life LEDs exceeding UL 924 requirements for brightness and uniformity. LEDs provide excellent, even illumination while maximizing energy efficiency. LEDs are a maintenance-free solution, providing up to 100,000 hours of use without failure.

EMERGENCY LIGHTS (Option: REN3)

Emergency lights feature field-selected top or side mounting. The 600E series is RENEGADE compatible - 2.6W LED PAR16 style head, (not UL Listed).

ELECTRICAL**Input**

Dual primary 120 or 277VAC @ 50/60Hz.

Nickel-Metal Hydride - NiMH (Standard)

Exitronix NiMH batteries are maintenance-free with a long life expectancy.

Sealed Lead Calcium Battery (Standard)

Exitronix sealed lead calcium batteries are maintenance-free.

Brownout Circuit

Brownout circuit monitors the line voltage, as the line voltage sags and can no longer illuminate the exit sign to meet UL924 visibility test, the emergency circuit will turn on to supply a portion or all the power to illuminate the sign for a minimum of 90 min until the line voltage is restored.

Low Voltage Disconnect

Low Voltage Disconnect (LVD) measures the battery terminal voltage. The LVD continuously monitors the battery terminal voltage and if it should fall below a preset voltage threshold, the LVD will disconnect the load. When the battery is recharging and voltage is raised above another preset voltage threshold, the load is automatically reconnected.

Solid-State Transfer

The circuit features solid-state switching for emergency lamps, eliminating concerns of damaged contact or mechanical failures associated with relays. The switching circuit detects a loss of line voltage and automatically switches to emergency mode.

Overload and Short Circuit Protection

The overload monitoring system is a solid-state circuit which monitors the lamp load and disconnects from the battery shall an overload or short circuit occur. The overload current protection eliminates the need for fuses or circuit breakers for the DC load.

Test Button

The test button is easy to locate and provides manual verification of the transfer circuit and emergency lamps.

INSTALLATION

Installs in minutes with easy-to-read instructions and detailed diagrams. No special hardware or tools necessary. Internally housed components and battery eliminate the use of a canopy when wall mounting single-faced exits. Mounting canopy included.

OPTIONS**Damp Location Rated (Option: DR)**

Damp Location Rated fixture that is normally or periodically subject to condensation of moisture in, on or adjacent to, and includes partially protected locations.

Guardian Self-Diagnostics (Option: G1)

The Guardian circuit continuously monitors the operating condition of the battery charging circuit and battery supply voltage. The purpose of this option is to provide visual signaling in response to a fault at the exit sign battery and/or battery charger. If a failure is detected, visual status will occur immediately via the CHARGER LED and/or the BATTERY FAULT LED. The LEDs will stay illuminated until the fault is corrected.

CONFORMANCE TO CODES & STANDARDS

The 600E Series is UL 924 Listed and meets or exceeds the following: NEC requirements and NFPA 101.