

**DESCRIPTION**

The FPR6 Series 6" Ultra-Thin Recessed LED Downlight is a sleek and slim, canless downlight solution that is a perfect fit for both new construction and retrofit applications. This downlight's innovative design offers hassle-free installation without the need for existing recessed housings or junction boxes. It can be mounted vertically or horizontally and features field-adjustable color temperatures, giving the installer the flexibility to personalize the lighting to suit any application. The versatile FPR6 downlight is the perfect blend of style, efficiency, and ease of installation.

**SPECIFICATIONS**

**Construction:**

- Easy installation with spring-action housing clips
- Compatible with 6.30" ceiling cut-outs
- Slim, canless design, lamp is only .39" thick
- Can be placed horizontally or vertically
- Aluminum housing

**Optics/LEDs:**

- 15W Produces up to 1,000 lumens
- Field-switchable color temperature between 2700K, 3000K, 3500K, 4000K and 5000K CCT
- CRI > 90
- 120° Beam angle
- L70 > 100,000hrs

**Electrical:**

- Triac Dimming
- Saves up to 75% energy compared to incandescent sources
- EN61000-4-5 surge protection (0.5kV)
- Power factor ≥ 0.90 with input
- 120VAC, 60Hz
- Operating temperature: -20°C to 45°C (-4°F to 113°F)

**Testing & Compliance:**

- cETLus Listed for Wet Locations
- IC Rated, access above ceiling required (covered ceiling mount only)
- Energy Star certified
- Title 24 JA8 compliant
- Complies with FCC Part 15, class B

**Warranty:**

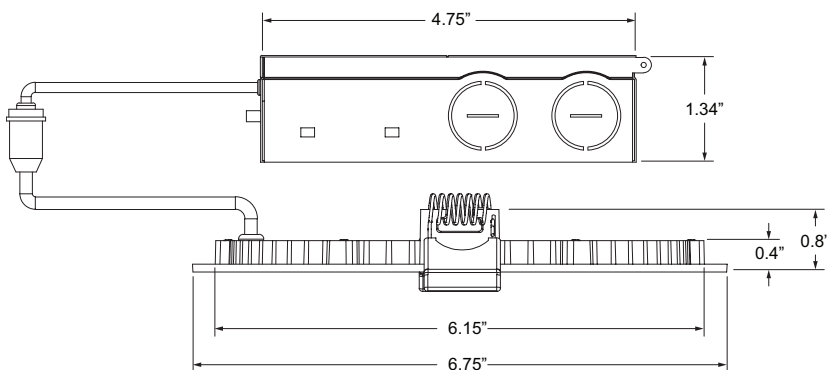
- Five year warranty (terms and conditions apply)

Model: \_\_\_\_\_ Date: \_\_\_\_\_  
Accessories: \_\_\_\_\_  
Job Name: \_\_\_\_\_ Type: \_\_\_\_\_



**ORDERING INFORMATION** Example: FPR6-10L-KFS

Model	Description
FPR6-10L-KFS	6" Ultra-Thin Recessed LED Downlight, 1,000 Nominal Lumens, Field-Switchable 2700K, 3000K, 3500K, 4000K, or 5000K



Model	Weight
FPR6-10L-KFS	0.5 lbs

Specifications are subject to change without notice. Installation must be performed in accordance with Barron Lighting Group installation instructions.