



IMPORTANT SAFEGUARDS READ AND FOLLOW ALL SAFETY INSTRUCTIONS.

When using electrical equipment, basic safety precautions should always be followed including the following:

- **DISCONNECT AC POWER SUPPLY BEFORE SERVICING.**
- Installation and servicing of this equipment should be performed by qualified service personnel only.
- Ensure that the electrical wiring conforms to the National Electrical Code NEC® and local regulations if applicable.
- Do not mount near gas or electrical heaters.
- Equipment should be mounted in locations and at heights where it will not be readily subjected to tampering by unauthorized personnel.
- The use of accessory equipment not recommended by the manufacturer may cause an unsafe condition.
- Any modification or use of non-original components will void the warranty and product liability.
- Do not use this equipment for other than intended use.

SAVE THESE INSTRUCTIONS!

Technical Support ■ (623) 580-8943 ■ technicalsupport@barronltg.com

Installation (Fig. 1)

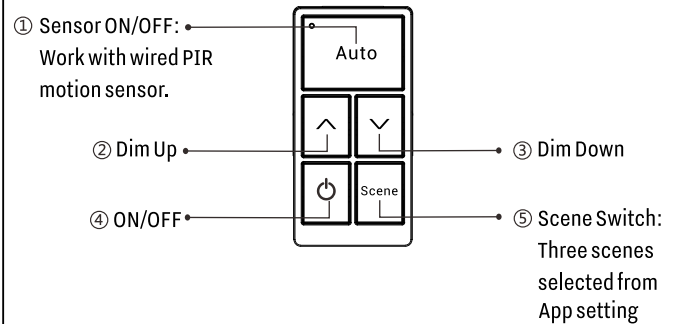
1. Install 2 pcs CR2032 battery by opening back cover. (Fig. 2)
2. Press buttons ① and ② together for over 2 seconds to enter pairing mode or achieve reset function. This switch can be scanned in the next 30 seconds.
3. In the LiteLogic App "Switch" page, click to add the switch.
4. Select the light / light group to be controlled by this switch.
5. Select 3 scenes to be controlled by this switch.

Battery Replacement

1. Pry up the cover of the remote controller with a flat screw driver. (Fig. 2)
2. Replace the battery with a new one. (Fig. 3)
3. Attach the cover. (Fig. 4)

NOTE: Battery model# CR2032. The battery can be used for 5 years based on usage of twice a day.

Fig. 1



NOTE: This Bluetooth device is compatible with LiteLogic lighting control system only.

Fig. 2

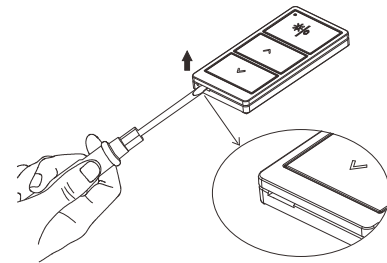


Fig. 3

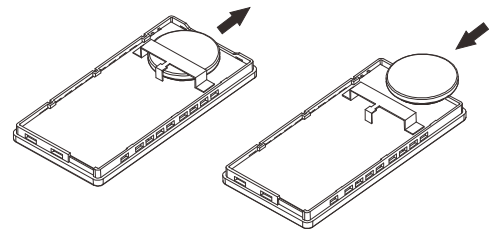
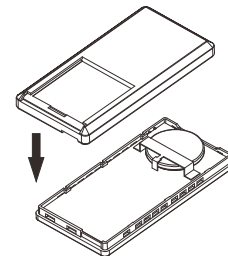


Fig. 4

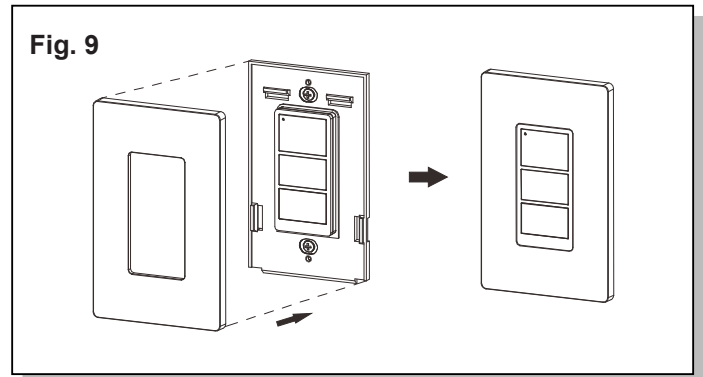
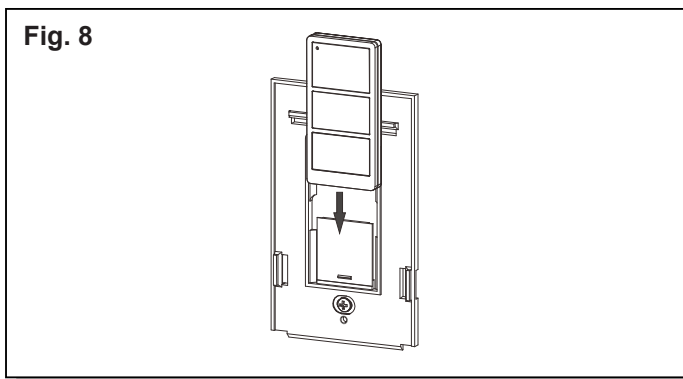
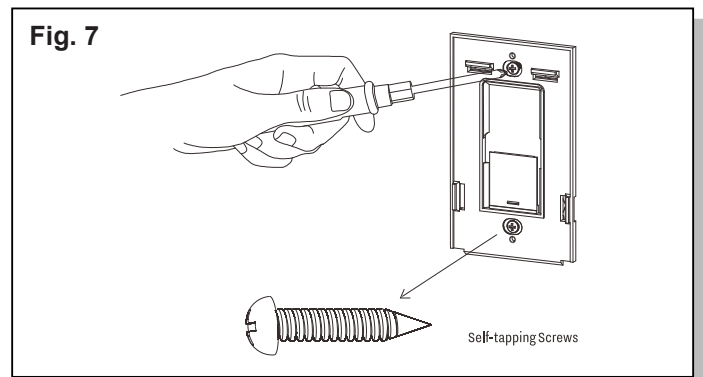
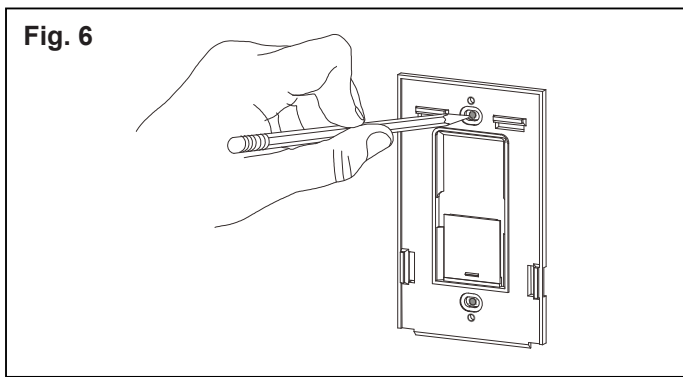
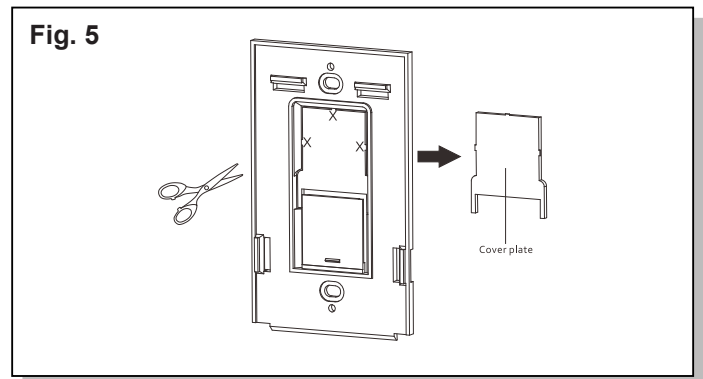


LE-SW2

Installation Instructions

Optional Wall Surface Mount (LE-WP)

1. Remove the cover plate carefully with scissors. (Fig. 5)
2. Mark the position you want to install and drill two holes with power drill. (Fig. 6)
4. Attach the bracket with supplied self-tapping screws (Fig. 7)
5. Slide remote control into the bracket. (Fig. 8)
6. Attach the wallplate. (Fig. 9)



How to Install LiteLogic App?

Scan QR Code below to download the APP.

Get it from the
App Store



Get it from
Google Play



How to Control Lights with a Phone?

Scan the QR Code below for APP instructions.

