

IMPORTANT SAFEGUARDS READ AND FOLLOW ALL SAFETY INSTRUCTIONS.

When using electrical equipment, basic safety precautions should always be followed including the following:

- **DISCONNECT AC POWER SUPPLY BEFORE SERVICING.**
- Installation and servicing of this equipment should be performed by qualified service personnel only.
- Ensure that the electrical wiring conforms to the National Electrical Code NEC® and local regulations if applicable.
- Do not mount near gas or electrical heaters.
- Do not use outdoors.
- Equipment should be mounted in locations and at heights where it will not be readily subjected to tampering by unauthorized personnel.
- The use of accessory equipment not recommended by the manufacturer may cause an unsafe condition.
- Any modification or use of non-original components will void the warranty and product liability.
- Do not use this equipment for other than intended use.
- Allow battery to charge for 24 hours before first use.

SAVE THESE INSTRUCTIONS!

Technical Support ■ (623) 580-8943 ■ technicalsupport@barrontg.com

Installation Using a J-Box

1. Feed fixture leads through backplate and make electrical connections; see **Electrical Connections** section. (Fig. 1)
2. Connect wires through J-Box. Secure backplate on to J-box with screws.
3. Connect battery only after AC power can be provided to the unit. (Fig. 2)
4. Align snaps and push housing directly onto backplate. Supply AC power and press "TEST" button to check light. (Fig. 3)

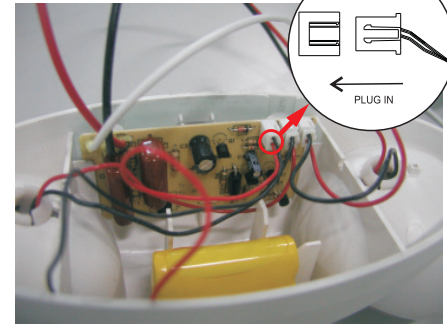
Fig. 1



Wall or Ceiling Mount

1. Secure backplate to wall surface. Route wires through hole in conduit flange and make electrical connections; see **Electrical Connections** section.
2. Connect battery only after AC power can be provided to the unit. (Fig. 2)
3. Align snaps and push housing directly onto backplate. Supply AC power and press "TEST" button to check light. (Fig. 3)

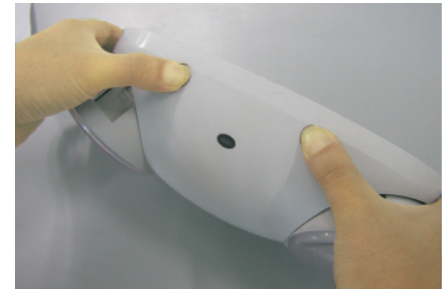
Fig. 2



Operation

1. During an electrical power failure, the lamps will automatically illuminate for a minimum of 90 minutes.
2. To test, push the "TEST" switch. The emergency lamps will illuminate. When the switch is released, the lamps will go off.

Fig. 3



Electrical Connections (Fig. 4)

All electrical connections should be made inside the junction box. Make electrical connections as follows:

Note: Cap unused leads to prevent shorting.

120VAC

White - Common
Black - 120VAC

277VAC

White - Common
Red - 277VAC

