

The compact QMS Series combines a traditional low-profile appearance with energy-efficient LED dependability. Fully adjustable square heads in a value-engineered emergency unit provide economical path of egress illumination for any commercial application. The QMS Series is an excellent match for the **QCSS** exit/emergency combo.

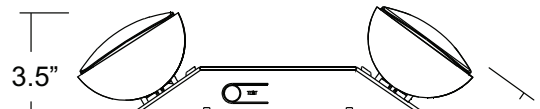
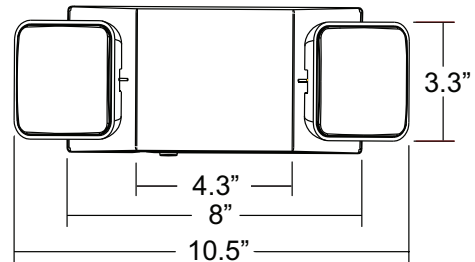
FEATURES & BENEFITS

- Two (2) 1.0W fully adjustable square heads with long-lasting, high-intensity LED lamps
- Suitable for Damp Locations
- Suitable for ceiling or wall mount
- California Energy Commission (CEC) Title 20 Compliant

SPECIFICATIONS

- Illumination:** Two (2) fully adjustable long-life, high-intensity LED lamp heads, 1.0W per head
- Housing:** Injection-molded UL 94 5VA flame-retardant, high-impact resistant thermoplastic enclosure
- Input:** 120/277VAC Dual primary, 60Hz
- Battery:** Maintenance-free 3.6V NiCad battery
- Operating Temp:** 0°C to 50°C (32°F to 122°F)
- Run Time:** 90 minute emergency run time, 24 hour recharge time
- Mounting:** Ceiling or wall mount
- Finish:** White
- Certifications:** UL 924 Listed for Damp Locations
Meets NFPA 101 Life Safety Code, NEC, OSHA
California Energy Commission (CEC) Title 20 Compliant
- Warranty:** Any component that fails due to a manufacturing defect is guaranteed for five years with a separate five year prorated warranty for NiCad batteries. The warranty does not cover physical damage, abuse or instances of uncontrollable natural forces. See the full Exitronix warranty document for detailed information. (Terms and conditions apply)

Model: _____ Date: _____
 Accessories: _____
 Job Name: _____ Type: _____



ORDERING INFORMATION Example: QMS-WH (Consult factory for additional options or configurations)

Series	Finish	Accessories (Order as separate line item)
QMS	WH=White	WG-S = Wire Guard (Back Mount)

ULTIMATE PERFORMANCE. UNPARALLELED VALUE.

CONSTRUCTION

The QMS is an injection-molded enclosure constructed of UV-stabilized, UL 94 5VA flame-retardant, high-temperature, high-impact thermoplastic. Units resist denting, peeling, scratching and corrosion. Toolless access provided for easy maintenance. Universal J-box mounting pattern with keyhole slots and snap-together design provide simple installation. The factory-installed, glare-free thermoplastic lamp heads are fully adjustable and incorporate energy-saving, long-life bright white LEDs to provide optimal center-to-center spacing.

ILLUMINATION

Illumination is provided by high-intensity, long-life LEDs consuming only 1.0W of power per head. LEDs provide excellent illumination while maximizing energy efficiency.

ELECTRICAL

Input

Dual-voltage input 120 or 277VAC @ 60Hz, 1.0W power consumption

Nickel Cadmium Battery – NiCad

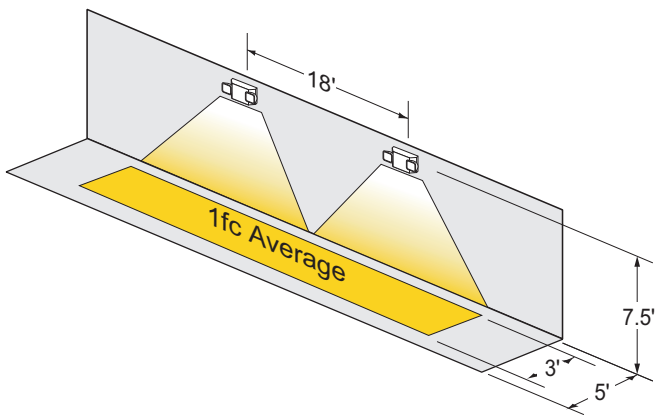
Exitronix nickel cadmium batteries are maintenance free.

Emergency

The QMS will operate for a minimum of 90 minutes during a loss of power with a 24 hour maximum recharge time for the battery.

SAMPLE PHOTOMETRICS

Using multiple units at a typical 7.5' mounting height with 80/50/20 reflectances on a 3' wide path of egress yields the following center-to-center spacing:



Solid-State Transfer

The unit features a solid-state switching transistor which eliminates damaged contacts or mechanical failures associated with relays. The switching circuit is designed to detect a loss of AC power and automatically energizes the lamps. Upon restoration of the AC voltage, the emergency lamps will switch off and the charger will automatically recharge the battery.

Test Button

Our easily located test button allows for manual verification of proper operation of the transfer circuit and emergency lamps.

INSTALLATION

Units are mountable in any orientation, on ceiling or walls. A universal mounting pattern and rear keyhole slots are provided as well as top and side conduit entry options for ease of installation.

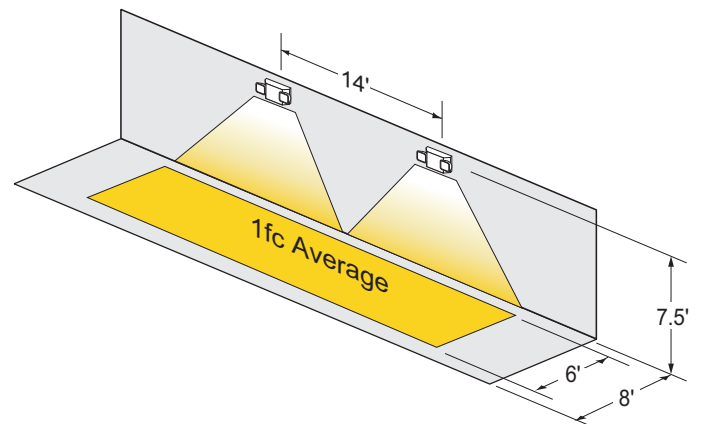
Damp Location Rated

Damp Location Rated fixture that is normally or periodically subject to condensation of moisture in, on or adjacent to, and includes partially protected locations.

CONFORMANCE TO CODES & STANDARDS

The QMS Series is UL Listed for Damp Locations and meets or exceeds the following: UL 924, NEC requirements and NFPA 101.

Using multiple units at a typical 7.5' mounting height with 80/50/20 reflectances on a 6' wide path of egress yields the following center-to-center spacing:



ULTIMATE PERFORMANCE. UNPARALLELED VALUE.