

## DESCRIPTION

Trace-Lite's RSHL Series slim CCT & power selectable round highbay offers superior performance in an energy-efficient low-profile design. The RSHL is a cost-effective round high bay solution offered in multiple lumen packages up to 36,000 lumens. This versatile highbay is available with many options and accessories such as integral battery backup, 480V step-down transformers, multiple plug-and-play sensors, and reflectors for maximum project flexibility. This series features an IK08 rated optical lens and is supplied with a standard 3/4" mounting hook, 6' whip, and safety cord. The RSHL is optimized for project flexibility in retail, industrial, commercial, manufacturing, warehousing, gymnasium, and other large interior spaces with mounting heights up to 50'. DesignLights Consortium® (DLC) PREMIUM Qualified for energy rebates.

## SPECIFICATIONS

### Construction:

- Die-cast aluminum housing with heat-dissipating fins in a white powder coated finish
- Sealed design for use in Wet Locations (without BB or HVS options)
- 3/4" Hook and security cable included
- 6' Whip (3 conductor + 6' whip for 0-10V dimming wires)

### Optics/LEDs:

- UV-stabilized polycarbonate lens - IK08 impact tested
- 120° Distribution
- Multiple lumen packages from 6,200 to 36,000 lumens for job flexibility
- Switchable between three color temperatures: 3000K, 4000K and 5000K CCT. Switch located and easily accessible outside enclosure
- Efficacy up to 180 LPW
- L70 >100,000 hours
- L90 >44,000 hours
- CRI ≥70

### Electrical:

- Class 2 power supply, universal 120-277VAC, 50/60Hz
- Power Factor > 0.90
- 0-10V Dimming driver (dedicated 0-10V leads, 6' whip)
- Built in driver surge protection L/N-PE: 6kV, L-N: 4kV

### Installation:

- 3/4" NPT threaded hook included
- Can be conduit pendant (3/4") mounted, (conduit by supplied other)
- Optional yoke mount bracket for surface mount installation
- Battery backup, field or factory installed
- 480V Step-Down Transformer Box, field or factory installed
- Includes 6' whip/cord standard (0-10V dedicated whip)
- Easily set wattage and CCT during installation using the adjustment switches located outside the housing

### Options:

- Factory-installed battery backup (120-277VAC):  
Option BB - 15W, delivers 2,000 lumens (100W and 150W units)  
Option BB2 - 25W, delivers 3,500 lumens (230W units)  
Both options provide over 90 min. of emergency powered illumination
- Factory installed step down transformer
- See accessories for plug and play sensors – fixture is provided with a receptacle to accept AUX based sensors

### Warranty:

- Five Year Warranty (Terms and Conditions Apply)

Model: \_\_\_\_\_ Date: \_\_\_\_\_  
 Accessories: \_\_\_\_\_  
 Job Name: \_\_\_\_\_ Type: \_\_\_\_\_



Specs at a Glance		* Nominal Wattage.	
<b>Model</b>	RSHL-100	RSHL-150	RSHL-230
<b>Wattage (W)*</b>	40W-60W-80W-100W Switchable	60W-90W-120W-150W Switchable	92W-138W-184W-230W Switchable
<b>Lumens (lm)</b>	6,200 - 16,000	9,800 - 24,000	15,500 - 36,000
<b>Efficacy (LPW)</b>	Up to 175	Up to 180	Up to 179
<b>Distribution</b>	General 120°		
<b>CCT (K)</b>	3000k-4000K-5000K Switchable		
<b>CRI</b>	≥70		
<b>Input Voltage</b>	120-277VAC, 50/60Hz, 0-10 Dimmable 347/480V		
<b>Operating Temp</b>	-20°C to 50°C (-4°F to 122°F)		
<b>Certifications</b>	UL Listed for Wet Locations, IP65 DLC PREMIUM		
<b>Warranty</b>	5 Years		
<b>Weight</b>	4.1 lbs	4.2 lbs	7.0 lbs

### Testing & Compliance:

- cULus Listed for Wet Locations (Damp location listed with battery backup, step-down transformer and sensor options/accessories)
- IP65 Rated (Without options/accessories listed above)
- IK08 Rated lens
- DesignLights Consortium® (DLC) PREMIUM Qualified (Consult QPL for qualified models)
- Meets state of California Title 24 requirement for dimming and control of light fixtures
- Operating temperatures: -20°C to 50°C (-4°F to 122°F)

Specifications are subject to change without notice.  
 Installation must be performed in accordance with  
 Barron Lighting Group installation instructions.  
 10800420 Rev 6

**Accessories:**

- External battery backup (120/277VAC) accessories blends in seamlessly with the design of the round highbay. Rated for ambient temperatures of 10°C to 40°C (50°F to 104°F)
  - 15W (for 100W & 150W configurations) delivers 2,000 lumens for over 90 minutes of emergency powered illumination (RSHL-BB-15W-WH)
  - 25W (for 230W configuration) delivers 3,500 lumens for over 90 minutes of emergency powered illumination (RSHL-BB-25W-WH)
- 480V Step-down transformer box (RSHL-480V-A-WH, RSHL-480V-B-WH)
- Plug and Play Occupancy Sensors – receptacle built in center of the lens
  - Dimming occupancy sensor, PIR, with daylight harvesting capabilities. 12V, 3.5mm AUX port (TL-MSP12)
  - Wireless Bluetooth PIR Sensor with daylight harvesting capabilities, 12V, 3.5mm AUX port ([LE-MS3-AUX-HB1](#))
- Junction Box – can be used to make wiring connections (RSHL-JB-WH)
- Remote for TL-MSP12 occupancy sensor (TL-MSSW-REMOTE)
- Yoke mount bracket for surface mount applications in a white finish (RSHL-YK-WH)
- 16" Aluminum Reflector (RSHL-ALR-A, RSHL-ALR-B)
- 16" Polycarbonate Refractor & Bottom Polycarbonate Lens (RSHL-PCR, RSHL-PCDL)
- Multiple line cords (indoor rated) for field installation (LC6T, LC15, LC15T)
- Field-installed in-line 10kVA surge protector for 120/277VAC, 320V, 420J (20300032)

**Ordering Information** (Example: RSHL-100-CP-WH)

Series	Wattage	CCT	Finish	Options (Factory Installed)
RSHL	100 = 100W	CP = CCT Selectable & Power Selectable	BL <sup>1</sup> = Black	BB <sup>2</sup> = Battery Backup, 15W (100W & 150W units) or 25W (230W units)
	150 = 150W		WH = White	48 <sup>3</sup> = 480V Stepdown Transformer with box
	230 = 230W			<b>See Accessories for Plug &amp; Play Sensors</b>

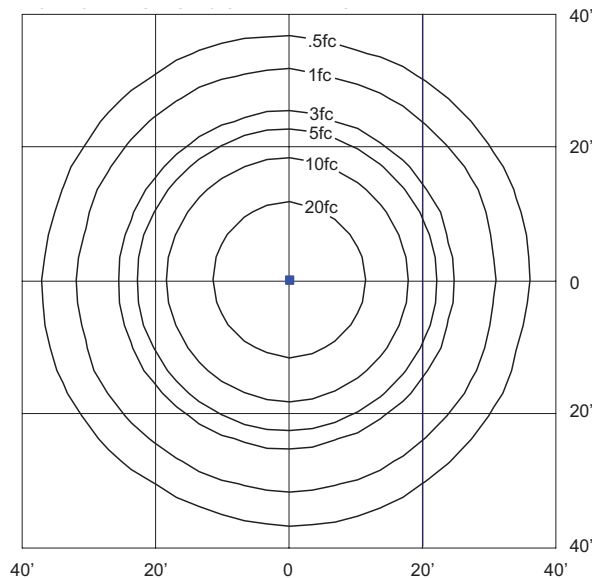
<i>litelogic</i> Sensor Accessories <sup>4</sup> (Field Installed, Order as Separate Line Item)	Accessories <sup>4</sup> (Field Installed, Order as Separate Line Item)
<a href="#">LE-MS3-AUX-HB1</a> = Bluetooth Enabled Dimming Occupancy Sensor, PIR	RSHL-ALR-A <sup>5</sup> = 16" Aluminum Reflector for 100W/150W Configurations
<a href="#">LE-SW2</a> = Bluetooth Enabled, 5-Button, Battery Powered Wall Switch	RSHL-ALR-B <sup>5</sup> = 16" Aluminum Reflector for 230W Configuration
<a href="#">LE-SW3</a> = Bluetooth Enabled, 3-Button, Line Voltage Wall Switch (Neutral Required)	RSHL-PCR <sup>5</sup> = 16" Polycarbonate Refractor for 100W/150W Configurations
<a href="#">LE-SW4</a> = Bluetooth Enabled, 7-Button, Line Voltage Wall Switch (Neutral Required)	RSHL-PCDL = Bottom Polycarbonate Lens with Clamp Band for RSHL-PCR Refractor
LE-WP = Wallplate for LE-SW2	RSHL-JB-WH = Junction Box, White Finish
TL-MSP12 = Dimming Occupancy Sensor, PIR	RSHL-JB-BL <sup>1</sup> = Junction Box, Black Finish
TL-MSSW-REMOTE = Remote for Dimming Sensor Accessory (TL-MSP12)	RSHL-BB-15W-WH = 15W Battery backup kit for 100W/150W, (120/277VAC), White Finish
	RSHL-BB-25W-WH = 25W Battery backup kit for 230W, (120/277VAC), White Finish
	RSHL-480V-A-WH = 480V Step-Down Transformer Box for 100W/150W Configurations, White Finish
	RSHL-480V-B-WH = 480V Step-Down Transformer Box for 230W Configurations, White Finish
	RSHL-480V-A-BL <sup>1</sup> = 480V Step-Down Transformer Box for 100W/150W Configurations, Black Finish
	RSHL-480V-B-BL <sup>1</sup> = 480V Step-Down Transformer Box for 230W Configurations, Black Finish
	RSHL-YK-WH = Yoke Mount Bracket for RQHL-215W, White Finish
	LC6T <sup>6</sup> = 6' Line Cord, L7-20P Plug (300V)
	LC15 <sup>6</sup> = 15' Line Cord, Blunt End (300V)
	LC15T <sup>6</sup> = 15' Line Cord, L7-20P plug (300V)
	20300032 = Field-installed In-line 10kVA Surge Protector for 120/277VAC, 320V, 420J

**Notes**

- <sup>1</sup> Consult factory for lead time and pricing on black finish
- <sup>2</sup> For 100W & 150W units (15W EM pack), for 230W units (25W EM Pack). Damp Location listed
- <sup>3</sup> Not a UL listed configuration. Damp Location listed
- <sup>4</sup> Order as separate line item
- <sup>5</sup> Not recommended for use w/sensor accessories, will impact sensor performance and coverage
- <sup>6</sup> For use with RSHL-JB-WH(BL)

**Sample Photometry**

**RSHL-230-CP (184W, 5000K)**  
 IES: TYPE VS Very Short  
 MOUNTING HEIGHT: 20'  
 TILT: ZERO  
 HORIZONTAL SPACING CRITERIA: 1.48



**PERFORMANCE TABLE**

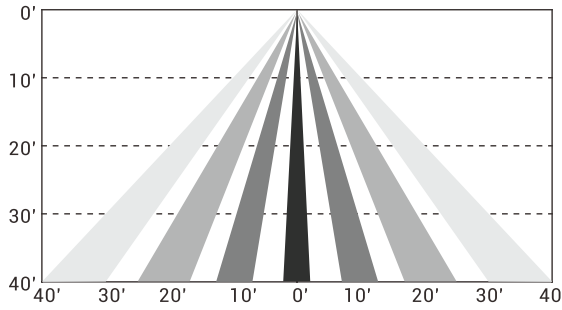
Model	Wattage	CCT	Lumens	LPW	Power Factor	CRI
RSHL-100-CP (3K, 40W)	40	3000K	6200	155	0.9	70
RSHL-100-CP (4K, 40W)	40	4000K	7000	175	0.9	70
RSHL-100-CP (5K, 40W)	40	5000K	6500	163	0.9	70
RSHL-100-CP (3K, 60W)	60	3000K	9000	150	0.9	70
RSHL-100-CP (4K, 60W)	60	4000K	10000	167	0.9	70
RSHL-100-CP (5K, 60W)	60	5000K	9400	157	0.9	70
RSHL-100-CP (3K, 80W)	80	3000K	11600	145	0.9	70
RSHL-100-CP (4K, 80W)	80	4000K	13000	163	0.9	70
RSHL-100-CP (5K, 80W)	80	5000K	12000	150	0.9	70
RSHL-100-CP (3K, 100W)	100	3000K	14000	140	0.9	70
RSHL-100-CP (4K, 100W)	100	4000K	16000	160	0.9	70
RSHL-100-CP (5K, 100W)	100	5000K	14500	145	0.9	70
RSHL-150-CP (3K, 60W)	60	3000K	9800	163	0.9	70
RSHL-150-CP (4K, 60W)	60	4000K	10800	180	0.9	70
RSHL-150-CP (5K, 60W)	60	5000K	10000	167	0.9	70
RSHL-150-CP (3K, 90W)	90	3000K	14000	156	0.9	70
RSHL-150-CP (4K, 90W)	90	4000K	15500	172	0.9	70
RSHL-150-CP (5K, 90W)	90	5000K	14600	162	0.9	70
RSHL-150-CP (3K, 120W)	120	3000K	18000	150	0.9	70
RSHL-150-CP (4K, 120W)	120	4000K	20000	167	0.9	70
RSHL-150-CP (5K, 120W)	120	5000K	19000	158	0.9	70
RSHL-150-CP (3K, 150W)	150	3000K	22000	147	0.9	70
RSHL-150-CP (4K, 150W)	150	4000K	24000	160	0.9	70
RSHL-150-CP (5K, 150W)	150	5000K	22500	150	0.9	70
RSHL-230-CP (3K, 92W)	92	3000K	15500	168	0.9	70
RSHL-230-CP (4K, 92W)	92	4000K	16500	179	0.9	70
RSHL-230-CP (5K, 92W)	92	5000K	16000	174	0.9	70
RSHL-230-CP (3K, 138W)	138	3000K	22000	159	0.9	70
RSHL-230-CP (4K, 138W)	138	4000K	24000	174	0.9	70
RSHL-230-CP (5K, 138W)	138	5000K	23000	167	0.9	70
RSHL-230-CP (3K, 184W)	184	3000K	28000	152	0.9	70
RSHL-230-CP (4K, 184W)	184	4000K	30000	163	0.9	70
RSHL-230-CP (5K, 184W)	184	5000K	29000	158	0.9	70
RSHL-230-CP (3K, 230W)	230	3000K	34000	148	0.9	70
RSHL-230-CP (4K, 230W)	230	4000K	36000	157	0.9	70
RSHL-230-CP (5K, 230W)	230	5000K	35000	152	0.9	70

Specifications are subject to change without notice.  
 Installation must be performed in accordance with  
 Barron Lighting Group installation instructions.

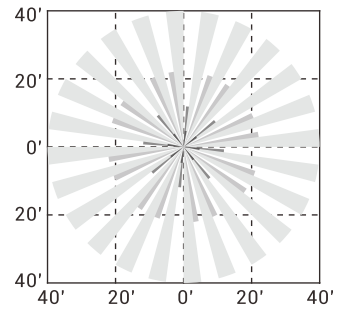
**LE-MS3-AUX SENSOR DETAILS (BLUETOOTH ENABLED)** [Click For Sensor Details](#)



Coverage Side View



Coverage Top View (40')



**SEE APP FOR SENSOR SETTINGS**

For a complete list of *litemlogic* compatible products, [click here](#).



Get it from the **App Store**



Get it from **Google Play**

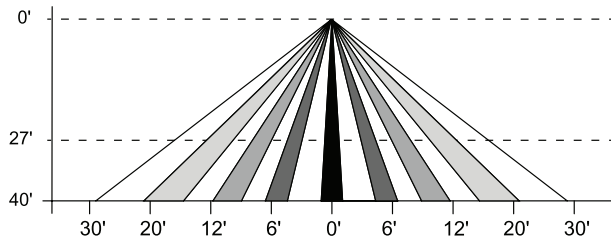


**Note:** Bluetooth sensor controls do not allow for CCT selection using the app. CCT must be manually selected on the fixture.

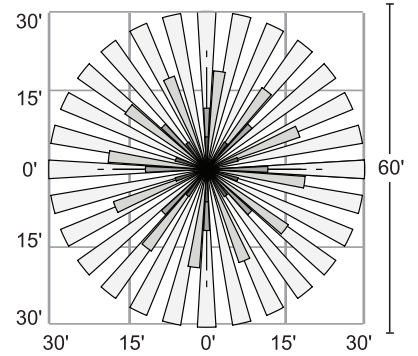
**TL-MSP12 SENSOR DETAILS**



Coverage Side View



Coverage Top View



**360° Coverage**

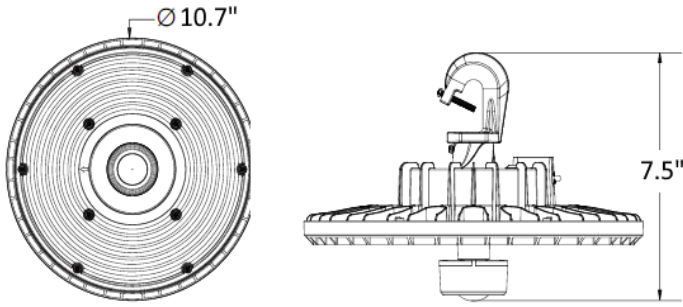
**TL-MSP12 Sensor Settings (Remote)**

DETECTION RADIUS/ANGLE	MAX 60'/360°
MOUNTING HEIGHT	MAX 40'
REMOTE RANGE	MAX 33'
FREQUENCY	5.8 GHz
HIGH MODE	70%, 80%, 90%, 100% (DEFAULT 100%)
SENSITIVITY	20%, 50%, 75%, 100% (DEFAULT 100%)
HOLD TIME	10sec, 1min, 5min, 10min, 15min, 20min, 30min, 60min (DEFAULT 5min)
DAYLIGHT HARVESTING	(disabled), 10Lux, 30Lux, 50Lux, 100Lux, 150Lux, 200Lux, 300Lux (DEFAULT disabled)
STANDBY DIM SETTING	0, 10%, 20%, 30%, OFF (∞), (DEFAULT 30%)
STANDBY TIME SETTING (TO OFF)	ON (disabled), 1min, 30min, 60min (DEFAULT 30min)

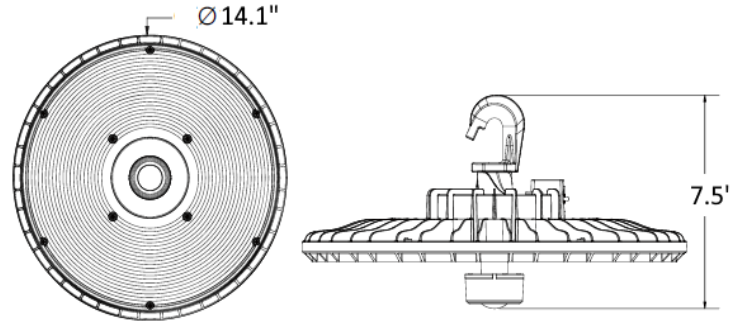


TL-MSSW-REMOTE = Remote for dimming sensor accessory (TL-MSP12) (Sold Separately)

**DIMENSIONS**

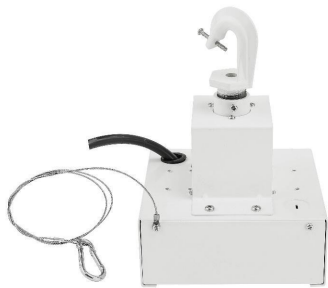


**100W/150W**



**230W**

**ACCESSORIES DETAILS**



RSHL-JB-WH =  
Junction Box, White Finish  
(Sold Separately)



RSHL-BB-15W-WH or RSHL-BB-25W-WH =  
Battery backup kit, White Finish  
(Sold Separately)



RSHL-480V-A-WH = 480V Step-Down  
Transformer Box for 100W/150W configurations,  
White Finish  
(Sold Separately)



RSHL-ALR-A = 16" Aluminum Reflector for  
100W/150W configurations  
(Sold Separately)



RSHL-ALR-B = 16" Aluminum Reflector for 230W  
configuration  
(Sold Separately)



RSHL-PCR = 16" Polycarbonate Refractor for  
100W/150W configurations  
(Sold Separately)