

Attractive and easy to install, the TPXC-G3 Series combines contemporary styling with quality LED illumination. TPXC-G3 units are completely self-contained and feature universal mounting, canopy included.

The **GUARDIAN G3** remote monitoring and reporting system from Extronix simplifies code compliance and significantly reduces operating and maintenance costs by offering automated testing, remote monitoring and reporting of emergency fixture status from a centralized location.

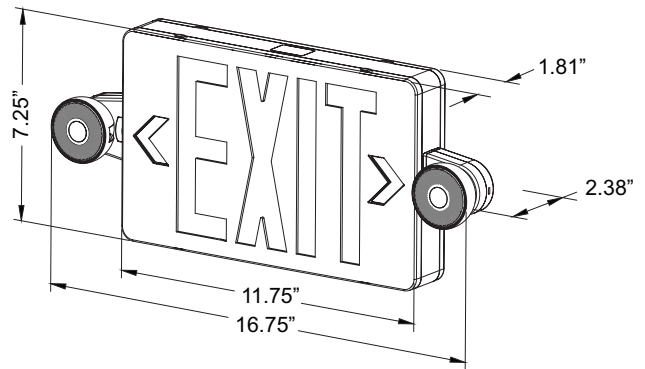
**FEATURES & BENEFITS**

- Includes GUARDIAN G3 self-test/self-diagnostics with remote monitoring and reporting
- Universal, field-selectable single- or double-face, includes canopy
- Two 1.2W LED fully adjustable lamp heads (remote capable option has two 0.75W lamp heads)
- Optional 1.5W remote capability, compatible with [JLED](#), [RL1-WP](#) or [RL52](#) remote lamps
- Easy, snap-out field-selectable chevrons
- California Energy Commission (CEC)

**SPECIFICATIONS**

- Illumination:** Long-life, high-intensity, red or green LEDs with 1.2W LED lamp heads (remote capable option has two 0.75W lamp heads)
- Housing:** Rugged, injection-molded UL 94 5VA flame-retardant, high-temperature thermoplastic housing
- Input:** 120/277VAC dual primary, 60Hz
- Battery:** Maintenance-free NiCad battery
- Operating Temp:** 10°C to 40°C (50°F to 104°F)
- Run Time:** UL Listed 90 minute emergency run time, 24 hour recharge time
- Electrical:** Brownout protection, low voltage disconnect, overload disconnect, short circuit disconnect, solid state transfer
- Legend:** Fully-illuminated 6" characters with 3/4" stroke, field-selectable directional chevrons
- Mounting:** Ceiling or wall mounted, canopy included
- Finishes:** Black or White
- Options:** R - 1.5W Remote Capable, compatible with [JLED](#), [RL1-WP](#) or [RL52](#) remote lamps
- Certifications:** UL 924 Listed for Damp Locations, Meets or exceeds NFPA 101 Life Safety Code, NEC, OSHA, and California Energy Commission (CEC) requirements
- Warranty:** Any component that fails due to a manufacturing defect is guaranteed for five years with a separate five year prorated warranty on the battery. The warranty does not cover physical damage, abuse or instances of uncontrollable natural forces. See the full Extronix warranty document for detailed information. (Terms and Conditions apply)

Model: \_\_\_\_\_ Date: \_\_\_\_\_  
 Accessories: \_\_\_\_\_  
 Job Name: \_\_\_\_\_ Type: \_\_\_\_\_



**ON-CENTER SPACING**

(Using multiple units mounted at a typical 7.5 foot height, 85/50/20 reflectance)

Model	# of LED Lamps	3' Path, 6' Corridor	6' Path, 6' Corridor
TPXC	2	40'	35'
TPXC-R (Remote)	2	29'	21'

**ORDERING INFORMATION** Example: TPXC-R-U-WH-G3

Series	Legend Color	Style	Finish	Self-test/Self-diagnostics
TPXC	G = Green	U = Universal	BL = Black	G3 <sup>1</sup> = Self-test/Self-diagnostics, Remote Monitoring and Reporting
	R = Red		WH = White	G3PRO <sup>1,2</sup> - Self-test/Self-diagnostics, Remote Monitoring and Reporting w/Automated Email Notifications
<b>Options</b> (Factory Installed)				
R <sup>3</sup> = 1.5W Remote Capable				
<b>Accessories</b> <sup>4</sup> (Field installed, order as separate line item)				
GTWY-PRIMARY - Primary Remote Reporting Gateway				
GTWY-SECONDARY - Secondary Remote Gateway, Extends Range				
ROUTER - Wireless Internet Router				
TAB10 - 10" Tablet, Includes Guardian G3 Software				
TAB12 - 12" Tablet, Includes Guardian G3 Software				
<b>Notes:</b>				
<sup>1</sup> Requires additional equipment, consult factory for details				WALLBRKXX - Tablet Wall Bracket (XX = Specify 10" or 12" Tablet)
<sup>2</sup> Requires internet connection, supplied by facility				WALLBRK-LOCKXX - Locking Wall Bracket (XX = Specify 10" or 12" Tablet)
<sup>3</sup> Compatible with <a href="#">JLED</a> , <a href="#">RL1-WP</a> or <a href="#">RL52</a> remote lamps				STANDBRKXX - Tablet Stand (XX = Specify 10" or 12" Tablet)
<sup>4</sup> Order as separate line item				STANDBRK-LOCKXX - Locking Tablet Stand (XX = Specify 10" or 12" Tablet)

**ELECTRICAL RATINGS**

Model	NiCad Battery	Brownout	Low Voltage Disconnect	Overload Disconnect	Short Circuit Disconnect	Solid State Transfer	Input				Output		
							VAC	Hz	mA	W	Lamps	Lumens	Remote Capability
TPXC-X-U-XX-G3	2 x 3.6V 900mAh	Yes	Yes	Yes	Yes	Yes	120/277	60	33	3.8	2 x 1.2W	250lm	n/a
TPXC-X-U-XX-G3-R	2 x 3.6V 900mAh	Yes	Yes	Yes	Yes	Yes	120/277	60	33	3.8	2 x 0.75 W	150lm	3.6V1.5W

**CONSTRUCTION**

The TPXC-G3 Series is constructed of a precision-molded housing utilizing 5VA flame-retardant, corrosion-proof thermoplastic. Units resist denting, peeling, scratching and corrosion. Black or White finish.

**ILLUMINATION**

Illumination of the TPXC-G3 Series is achieved with high-output, long-lasting red or green LEDs. An exclusive color matched diffuser eliminates hot spots and striations, providing optimal light output.

**EMERGENCY LAMPS**

Two (2) 1.2W LED lamps (without R option). Units with remote capability (R option) have two (2) 0.75W lamps.

**ELECTRICAL**

**Input**

Dual-voltage input 120 or 277VAC @ 60Hz.

**Nickel Cadmium Battery – NiCad**

Exitronix nickel cadmium batteries are maintenance-free.

**Emergency**

The TPXC-G3 Series exit will operate for a minimum of 90 minutes during a loss of power with a 24 hour maximum recharge time for the battery.

**Damp Location Rated**

Damp Location Rated fixture that is normally or periodically subject to condensation of moisture in, on or adjacent to, and includes partially protected locations.

**Test Button**

The test button is easy to locate and provides manual verification of the transfer circuit and emergency backup.

**INSTALLATION**

Simple snap together universal design allows for faceplate and backplate to be fully interchangeable. Mounting canopy is supplied with all signs and snaps into enclosure with two positive locking tabs.

**GUARDIAN G3 Self-test/Self-diagnostics, Remote Monitoring and Reporting**

The circuit continuously monitors the operating condition of the AC power, battery supply voltage and charging circuit.

The purpose of this option is to provide visual signaling in response to a fault at the EXIT sign battery and/or battery charger. If a failure is detected, visual status will occur immediately via the dual color LED. Refer to instruction manual for detailed information.

The circuit also monitors the transfer circuit as well as performing automatic code compliance testing.

The GUARDIAN G3 remote monitoring and reporting system provides wireless communication between emergency fixtures, enabling maintenance personnel to maintain and test emergency lighting equipment from a central location. System requires additional equipment and setup, consult factory for more information.

**GUARDIAN G3PRO Self-test/Self-diagnostics, Remote Monitoring and Reporting with Automated Email Notifications**

The G3PRO model has the features of the standard G3 but adds automated email notifications of fixture status reports (requires internet connection, supplied by facility).

**OPTIONS**

**Remote Capable (Option: R)**

The R option provides an additional 1.5W of remote capability, compatible with [JLED](#), [RL1-WP](#) or [RL52](#) remote lamps

**CONFORMANCE TO CODES & STANDARDS**

The TPXC-G3 Series is UL 924 Listed for Damp Locations, CEC compliant and meets or exceeds the following: UL 924, NEC requirements and NFPA 101.