

The WPX-EM-G3 Series emergency light's low-profile, rounded corners and compact size gives the unit its modern design. The WPX-EM-G3 is UL 924 Listed for Wet Locations and features remote capability. The unit is an ideal solution for egress lighting where splashing, dripping or non-corrosive liquids may occur.

The **GUARDIAN G3** remote monitoring and reporting system from Exitronix simplifies code compliance and significantly reduces operating and maintenance costs by offering automated testing, remote monitoring and reporting of emergency fixture status from a centralized location.

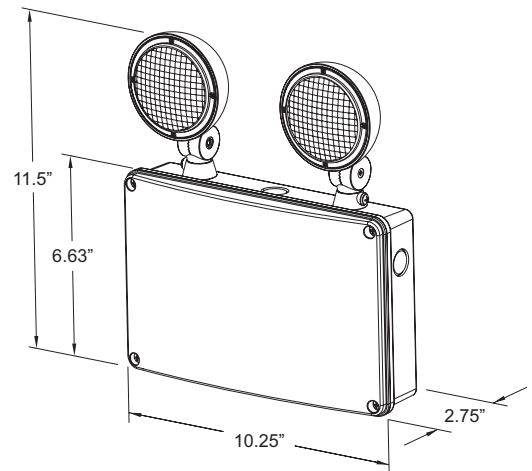
FEATURES & BENEFITS

- Includes GUARDIAN G3 self-test/self-diagnostics with remote monitoring and reporting
- Fully adjustable, 2.5W LED lamp heads (1.3W lamps for units with remote capability)
- Optional 3W remote capability, compatible with **RL1-WP** remote lamps
- UL 924 Listed for Wet Location applications in extreme conditions
- Impact-resistant, polycarbonate shield offers extreme protection
- One piece molded weatherproof silicone gasket
- Cold Location option (IH) allows for temperatures ranging from -25°C to 50°C (-13°F to 122°F)
- California Energy Commission (CEC) compliant

SPECIFICATIONS

- Illumination:** (2) 2.5W LED lamp heads (units with remote capability have 1.3W LED lamp heads)
- Housing:** Heavy-duty, high-impact, corrosion-resistant thermoplastic housing
- Input:** 120-277VAC Dual primary, 50/60Hz
- Battery:** Maintenance-free NiCad battery
- Operating Temp:** 0°C to 50°C (32°F to 22°F) or optional -25°C to 50°C (-13°F to 22°F) (Option: IH)
- Run Time:** UL Listed 90 minute emergency run time, 24 hour recharge time
- Electrical:** Brownout protection, low voltage disconnect, overload disconnect, short circuit disconnect, solid state transfer
- Mounting:** Surface wall mount
- Finishes:** Black or White finish
- Options:** R - 3W Remote Capable, compatible with **RL1-WP** remote lamps
 IH - Internal Battery Heater -25°C to 50°C (-4°F to 122°F)
- Certifications:** UL 924 Listed for Wet Locations, meets or exceeds NEC requirements and NFPA 101, California Energy Commission (CEC) Compliant
- Warranty:** Any component that fails due to a manufacturing defect is guaranteed for five years with a separate five year prorated warranty on the battery. The warranty does not cover physical damage, abuse or instances of uncontrollable natural forces. See the full Exitronix warranty document for detailed information. (Terms and Conditions Apply)

Model: _____ Date: _____
 Accessories: _____
 Job Name: _____ Type: _____



ON-CENTER SPACING

(Using multiple units mounted at a typical 7.5 foot height, 85/50/20 reflectance)

Model	# of LED Lamps	3' Path, 6' Corridor	6' Path, 6' Corridor
WPX-EM	2	74'	70'
WPX-EM-R	2	52'	46'

ORDERING INFORMATION Example: WPX-EM-WH-G3-IH-R

Series	Finish	Self-test/Self-diagnostics
WPX-EM	BL = Black	G3 ¹ = Self-test/Self-diagnostics, Remote Monitoring and Reporting
	WH = White	G3PRO ^{1,2} = Self-test/Self-diagnostics, Remote Monitoring and Reporting w/Automated Email Notifications
Options		
IH = Battery Heater -25°C to 50°C (-13°F to 122°F)		
R ³ = 3W Remote Capable		

Accessories ⁴ (Field installed, order as separate line item)		
GTWY-PRIMARY - Primary Remote Reporting Gateway	WALLBRK-LOCKXX - Locking Wall Bracket (XX = Specify 10" or 12" Tablet)	
GTWY-SECONDARY - Secondary Remote Gateway, Extends Range	STANDBRKXX - Tablet Stand (XX = Specify 10" or 12" Tablet)	
ROUTER - Wireless Internet Router	STANDBRK-LOCKXX - Locking Tablet Stand (XX = Specify 10" or 12" Tablet)	
TAB10 - 10" Tablet, Includes Guardian G3 Software	WG-S = Wire Guard, Back Mount	
TAB12 - 12" Tablet, Includes Guardian G3 Software	XG-6 = Poly Guard, Back Mount	
WALLBRKXX - Tablet Wall Bracket (XX = Specify 10" or 12" Tablet)		

Notes

¹ Requires additional equipment, consult factory for details

² Requires internet connection, supplied by facility

³ Compatible with [RL1-WP](#) remote lamps

⁴ Order as separate line item

ELECTRICAL RATINGS

Model	NiCad Battery	Brownout	Low Voltage Disconnect	Overload Disconnect	Short Circuit Disconnect	Solid State Transfer	Input				Output			Ambient Temp.
							VAC	Hz	mA	W	Lamp Heads	Lumen Output	Remote Capability	
WPX-EM-G3	7.2V 2000mA	Yes	Yes	Yes	Yes	Yes	120-277	50/60	68/45	3.5	2 x 2.5W	620lm	n/a	0° to 50°
WPX-EM-G3-R	7.2V 2000mA	Yes	Yes	Yes	Yes	Yes	120-277	50/60	68/45	3.5	2 x 1.3W	320lm	6V 3W	0° to 50°
WPX-EM-G3-IH	7.2V 2000mA	Yes	Yes	Yes	Yes	Yes	120-277	50/60	68/45	3.5	2 x 2.5W	620lm	n/a	-25° to 50°
WPX-EM-G3-IH-R	7.2V 2000mA	Yes	Yes	Yes	Yes	Yes	120-277	50/60	68/45	3.5	2 x 1.3W	320lm	6V 3W	-25° to 50°

CONSTRUCTION

The WPX-EM-G3 Series is constructed of high-impact, corrosion-resistant thermoplastic. The UV-resistant faceplates are protected by high-abuse, clear polycarbonate which is recessed into the housing. The unit comes standard with an external LED status indicator and test switch.

ILLUMINATION

Two (2) fully-adjustable 2.5W LED lamps (without R option). Units with remote capability (R option) have two (2) 1.3W lamps.

ELECTRICAL

Input

Dual-voltage input 120-277VAC @ 50/60Hz.

Nickel Cadmium Battery - NiCad

Extronix sealed nickel cadmium batteries are maintenance-free.

Test Button

The test button is easy to locate and provides manual verification of the transfer circuit and emergency lamps.

INSTALLATION

The WPX-EM-G3 Series is suitable for surface wall mount applications. Suitable for indoor, outdoor or Wet Location applications.

Wet Location Rated (Standard)

Wet Location Rated fixture that allows water or other liquids to drip, splash or flow on or against. The construction prevents the accumulation of water on live parts.

CONFORMANCE TO CODES & STANDARDS

The WPX-EM-G3 Series is UL 924 Listed for Wet Locations, CEC and meets or exceeds the NEC requirements and NFPA 101.

GUARDIAN G3 Self-test/Self-diagnostics, Remote Monitoring and Reporting

The circuit continuously monitors the operating condition of the AC power, battery supply voltage and charging circuit.

The purpose of this option is to provide visual signaling in response to a fault at the EXIT sign battery and/or battery charger. If a failure is detected, visual status will occur immediately via the dual color LED. Refer to instruction manual for detailed information.

The circuit also monitors the transfer circuit as well as performing automatic code compliance testing.

The GUARDIAN G3 remote monitoring and reporting system provides wireless communication between emergency fixtures, enabling maintenance personnel to maintain and test emergency lighting equipment from a central location. System requires additional equipment and setup, consult factory for more information.

GUARDIAN G3PRO Self-test/Self-diagnostics, Remote Monitoring and Reporting with Automated Email Notifications

The G3PRO model has the features of the standard G3 but adds automated email notifications of fixture status reports (requires internet connection, supplied by facility).

OPTIONS

Remote Capable (Option: R)

The WPX-EM-G3 is remote capable and provides up to 3W of remote power for 90 minutes, compatible with [RL1-WP](#) remote lamps.

Cold Location Rated (Option: IH)

Internal battery heater suitable for temperature ranges from -25°C to 50°C (-13°F to 122°F). This is ideal for colder climates or freezer/cold room applications.