

The architectural RMW Series recessed ceiling emergency light will complement any decor with its low-profile unobtrusive design. Combining a rugged steel enclosure with incandescent or long-life LED lamp heads and reliable electronics, this fully recessed emergency unit is ideal for use in restaurants, office buildings and public locations needing a low-profile aesthetic.

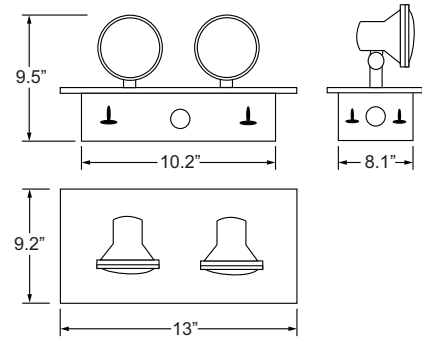
FEATURES

- Meets City of New York Emergency Code requirements
- Compact, flush-mount architectural design
- Enclosure constructed of 20 gauge steel
- Available with two fully adjustable PAR36 incandescent or MR16 LED bullet style lamp heads
- High-performance chrome-plated metal reflectors and plastic lens for optimal light distribution
- LED lamp heads deliver up to 47.5' on-center spacing
- Optional Guardian Self-test/Self-diagnostics (G2) available
- Low voltage disconnect eliminates deep discharge
- Brownout and short circuit protection
- Overcharge protection
- Maintenance-free sealed lead calcium battery
- Optional NiCad battery available
- Recessed ceiling mount
- Standard finish: Black or White
- 120/277VAC Dual primary, 50/60Hz input

WARRANTY

Any component that fails due to a manufacturer's defect is guaranteed for five years with a separate five year pro-rated warranty on the battery. The warranty does not cover physical damage, abuse or instances of uncontrollable natural forces. See the full Exitronix warranty document for detailed information.

Model: _____ Date: _____
 Accessories: _____
 Job Name: _____ Type: _____



Note: Height will vary based on lamps heads supplied.

Ordering Information Example: RMW6-18-MRL-WH

Series	Wattage	Lamp Heads	Finish	Options (Factory Installed)
RMW6 = 6V	6V Sealed Lead Calcium	HS12 = 12W Halogen Sealed Beam (PAR36)	BL = Black	G2 = Self-test/Self-diagnostics
RMW12 = 12V	18 = 18 Watt	MRL = 5W LED (MR16)	WH = White	
	36 = 36 Watt	TS18 = 18W Tungsten Sealed Beam (PAR36)		Accessories¹ (Field Installed)
	6V NiCad	TW09 = 9W Tungsten Wedge Base (PAR36)		WG-90 = Wire Guard (Back Mount)
	22N = 22 Watt			XG-PS = Poly Guard (Back Mount)
	12V Sealed Lead Calcium			
	36 = 36 Watt			
	12V NiCad			Notes
	42N = 42 Watt			¹ Order as separate line item

CONSTRUCTION

The RMW Series is constructed from a durable 20 gauge steel enclosure with a powder coated black or white finish.

ILLUMINATION

Incandescent lamp heads from 9 Watts to 18 Watts are constructed of durable thermoplastic in a PAR36 style. This format features a unique twist locking collar that securely holds the lens in place and facilitates quick and easy relamping. Long-life 5 Watt LED lamps in a sleek MR16 bullet style are available for a modern aesthetic and optimal on-center spacing.

ELECTRICAL

Input

Dual-voltage input 120 or 277VAC @ 50/60Hz

Sealed Lead Calcium Battery (Standard)

Exitronix sealed lead calcium batteries are maintenance-free and perform optimally in temperatures ranging from 10°C to 45°C (50°F to 113°F).

Nickel Cadmium Battery – NiCad (Optional)

Exitronix NiCad batteries are maintenance-free and offer high discharge rates and continue to perform in a vast temperature range from 0°C to 40°C (32°F to 104°F). NiCad technology provides long-lasting, safe and reliable performance.

Emergency

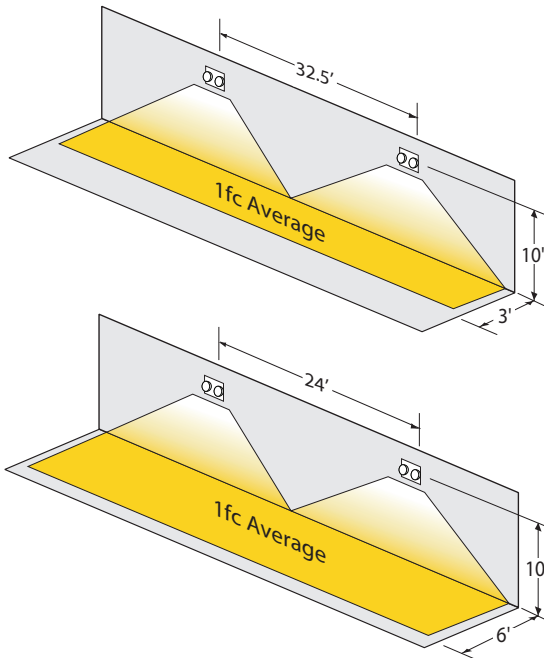
The RMW series will operate for a minimum of 90 minutes during a loss of power with a 24 hour maximum recharge time for the sealed lead calcium battery.

Brownout Circuit

The brownout circuit monitors the line voltage. As the line voltage sags and can no longer provide adequate voltage, the emergency lighting circuit will turn on to supply power to the emergency lamps for 90 minutes or until the line voltage is restored.

SAMPLE PHOTOMETRICS

Using multiple 18 Watt incandescent units mounted at a typical 10' ceiling height deliver 32.5' on-center spacing for a 3' wide path of egress and 24' on-center spacing for a wide 6' path of egress.



Low Voltage Disconnect

Low Voltage Disconnect (LVD) measures the battery's terminal voltage and if it should fall below a preset voltage threshold, the LVD will disconnect the load. When the battery is recharging and the voltage is raised above another preset threshold, the load is automatically reconnected.

Test Button

Our easily located test button allows for manual verification of proper operation of the transfer circuit and emergency lamps.

INSTALLATION

The RMW Series emergency unit is designed to be fully recessed into a drop or standard ceiling. Torsion springs securely hold the RMW cover in place. Hanger bars are included for ceiling installations, allowing the unit to hang securely in place. The fully recessed design is ideal for maintaining an architectural aesthetic for ceiling installations.

Guardian Self-test/Self-diagnostics (Option: G2)

The Guardian circuit continuously monitors the operating condition of the AC power, battery supply voltage, emergency lamp continuity and charging circuit.

The purpose of this option is to provide visual signaling in response to a possible fault. If a failure is detected, visual status will occur immediately via an LED. The fault condition will remain in the same state until the fault is corrected.

The Guardian circuit also monitors the transfer circuit as well as performing automatic code compliant testing. The Guardian circuit will perform a discharge and self-test.

Refer to installation instructions for details of operation.

CONFORMANCE TO CODES & STANDARDS

The RMW Series meets or exceeds the following: UL 924, NEC requirements and NFPA 101.

New York City approved

SAMPLE PHOTOMETRICS

Using multiple LED units mounted at a typical 10' ceiling height deliver 47.5' on-center spacing for a 3' wide path of egress path and 44' for a 6' wide path of egress.

