



For the complete line of specialtyLED® products, visit us online at [barronltg.com](http://barronltg.com) or call 800.533.3948.

Model: \_\_\_\_\_ Date: \_\_\_\_\_  
Accessories: \_\_\_\_\_  
Job Name: \_\_\_\_\_ Type: \_\_\_\_\_

## XFMR-XX-35

35W · 12V OR 24 VSINGLE OUTPUT LED POWER SUPPLY

### FEATURES

- Constant voltage mode power supply
- Universal AC input/ Full range
- Protections: Short Circuit/ Over current / Over voltage
- Built-in active PFC function
- IP67 design for indoor or outdoor installations <sup>Note: 6</sup>
- Fully isolated plastic case
- Small and compact size
- UL1310 Class 2 power unit, pass LPS
- Cooling by free air convection
- 100% full load burn-in test
- High Reliability
- Suitable for LED lighting and moving sign applications
- Compliance to worldwide safety regulations for lighting <sup>Note: 5</sup>
- Suitable for dry/dam/wet locations
- 2 year warrant



### SPECIFICATION

	Model	XFMR-12-35	XFMR-24-35
OUTPUT	DC VOLTAGE	12V	24V
	RATED CURRENT	3A	1.5A
	CURRENT RANGE	0 ~ 3A	0 ~ 1.5A
	RATED POWER	36W	36W
	RIPPLE & NOISE (max.) <sup>Note: 1</sup>	120mVp-p	120mVp-p
	VOLTAGE TOLERANCE <sup>Note: 2</sup>	±5.0%	
	LINE REGULATION	1.0%	
	LOAD REGULATION	±2.0%	
	SETUP, RISE TIME <sup>Note: 3</sup>	500ms, 20ms/230VAC, 500ms, 20ms /115VAC at full load	
HOLD TIME (typ.)	50ms/230VAC, 16ms /115VAC at full load		
INPUT	VOLTAGE RANGE <sup>Note: 4</sup>	90 ~ 264VAC 127 ~ 370VDC	
	FREQUENCY RANGE	47 ~ 63Hz	
	EFFICIENCY(Typ.)	84%	85%
	AC CURRENT	1.1A/115VAC 0.7A/230VAC	
	INRUSH CURRENT(max.)	COLD START 55A (twidth =510µs measured at 50% peak) at 230VAC	
	LEAKAGE CURRENT	0.25mA / 240VAC	
PROTECTION	OVERLOAD	110 ~ 150% rated output power Hiccup mode, recovers automatically after fault condition is removed	
	OVER VOLTAGE	13.8 ~ 16.2V	27.6 ~ 32.4V
		Shut down o/p voltage, clamping by zener diode	
ENVIRONMENT	WORKING TEMP.	-22 ~ 149°F (Refer to "Derating curve")	
	WORKING HUMIDITY	20 ~ 90% RH non-condensing	
	STORAGE TEMP., HUMIDITY	-40 ~ 176°F , 10 ~ 95% RH	
	TEMP. COEFFICIENT	±0.03%/°F (32 ~ 122°F)	
	VIBRATION	10 ~ 500Hz, 2G 10min./1cycle, period for 60min. each along X, Y, Z axes	

SPECIFICATIONS ARE SUBJECT TO CHANGE WITHOUT NOTICE

SPECIFICATION (cont.)

	Model	XFMR-277-12-20	XFMR-277-24-20
SAFETY & EMC	SAFETY STANDARDS	UL1310, CAN/CSA C22.2 No. 223-M91, IP67 approved; design refer to TUV EN60950-1	
	WITHSTAND VOLTAGE	I/P-O/P:3KVAC	
	ISOLATION RESISTANCE	I/P-O/P:>100M Ohms / 500VDC / 77°F / 70% RH	
	EMC EMISSION	Compliance to EN55022 (CISPR22) Class B, EN61000-3-2 Class A, EN61000-3-3	
	EMC IMMUNITY	Compliance to EN61000-4-2,3,4,5,6,8,11, EN55024, light industry level, criteria A	
OTHERS	MTBF	743.5Khrs min. MIL-HDBK-217F (77°F)	
	DIMENSIONS	5.8in * 1.57in* 1.18in (L*W*H)	
	PACKING	0.75LBS; 40pcs/32LBS/0.63CUFT	

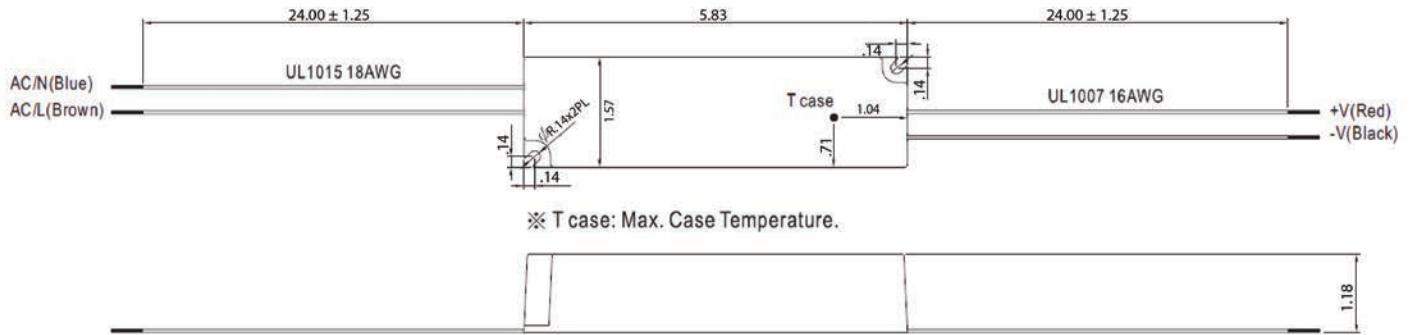
- NOTES**
- Ripple & noise are measured at 20MHz of bandwidth by using a 12" twisted pair-wire terminated with a 0.1uf & 47 uf parallel capacitor.
  - Tolerance: includes set up tolerance, line regulation and load regulation.
  - Length of set up time is measured at first cold start. Turning ON/OFF the power supply may lead to increase of the set up time.
  - Derating: may be needed under low input voltage, please check the static characteristic for more details.
  - The unit might not be suitable for lighting applications in EU countries. Please check with your local authorities for the possible use of the unit.
  - Suitable for indoor use or outdoor use without direct sunlight exposure. Please avoid immerse in the water over 30 minute.

ATTENTION

- All parameters NOT specifically mentioned are measured at 230VAC input, rated load and 77°F ambient temperature.
- The power supply is considered as a component that will be operated in combination with final equipment. Since EMC performance will be affected by the complete installation, the final equipment manufacturers must re-qualify EMC Directive on the complete installation again.
- Direct connecting to LEDs is suggested, but is not suitable for using additional drivers.

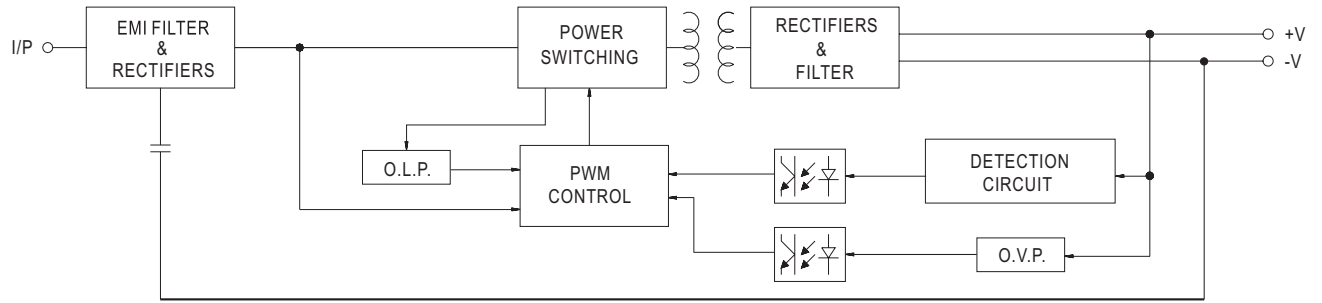
MECHANICAL SPECIFICATION

UNITS: INCHES

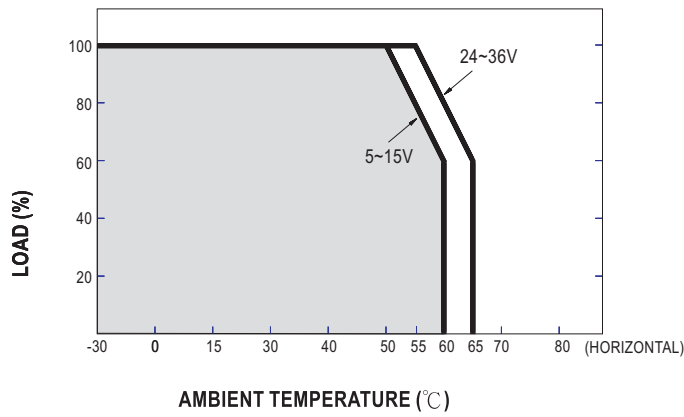


RECOMMENDED MOUNTING DIMENSION





DERATING CURVE



STATIC CHARACTERISTICS

