

AXL2 (15-50W)

Installation Instructions

BARRON **TRACE LITE**
commercial & industrial lighting



IMPORTANT SAFEGUARDS

READ AND FOLLOW ALL SAFETY INSTRUCTIONS.

When using electrical equipment, basic safety precautions should always be followed including the following:

- **DISCONNECT AC POWER SUPPLY BEFORE SERVICING.**
- Installation and servicing of this equipment should be performed by qualified service personnel only.
- Ensure that the electrical wiring conforms to the National Electrical Code NEC® and local regulations, if applicable.
- Do not mount near gas or electrical heaters.
- Equipment should be mounted in locations and at heights where it will not be readily subjected to tampering by unauthorized personnel.
- The use of accessory equipment not recommended by the manufacturer may cause an unsafe condition.
- Any modification or use of non-original components will void the warranty and product liability.
- Do not use this equipment for other than intended use.

SAVE THESE INSTRUCTIONS!

Technical Support ■ (623) 580-8943 ■ technicalsupport@barrontlg.com

AXL2 (15-50W)

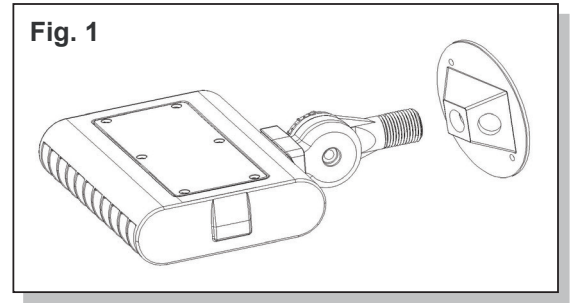
Installation Instructions

Installation

Knuckle Mount (Fig. 1)

1. Feed the wire lead from the 1/2" NPT knuckle into the weatherproof box cover or post top fitter, then secure the threaded knuckle into place.
2. Make electrical connections; see **Electrical Connections** section.
3. To adjust the angle, loosen the screw on the center of the knuckle, rotate to the desired position, then retighten the screw.

Fig. 1



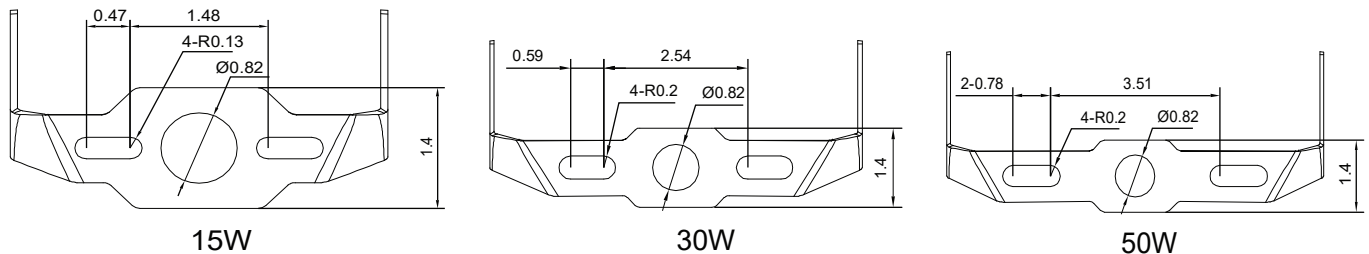
IMPORTANT: Weatherproof your outdoor installation. Be sure to seal all holes in the enclosure, such as the mounting, conduit, plugs, sensors, and photocontrols with silicone sealant.

Yoke Mount (Fig. 2)

1. Secure the fixture's bracket to the mounting surface using appropriate hardware (provided by others).
2. Allow for proper line cord slack for adjusting angle.
3. Make electrical connections; see **Electrical Connections** section.
4. Set the desired fixture angle by loosening the positioning screws and rotating the yoke to the desired angle, then retighten the positioning screws.

IMPORTANT: Weatherproof your outdoor installation. Be sure to seal all holes in the enclosure, such as the mounting, conduit, plugs, sensors, and photocontrols with silicone sealant.

Fig. 2 - Yoke Templates



AXL2 (15-50W)

Installation Instructions

Electrical Connections (Fig. 3)

All electrical connections should be made inside the junction box. Make electrical connection as follows:

120-277VAC

Black - 120-277VAC

White - Common

Green/Yellow Green - Ground

Note: Cap unused leads to prevent shorting.

