

BL350 Series

Installation Instructions



IMPORTANT SAFEGUARDS READ AND FOLLOW ALL SAFETY INSTRUCTIONS.

When using electrical equipment, basic safety precautions should always be followed including the following:

- **DISCONNECT AC POWER SUPPLY BEFORE SERVICING.**
- Installation and servicing of this equipment should be performed by qualified service personnel only.
- Fixtures are classified for insulated ceilings - type IC and type T and for suspended ceilings - type S. Make sure the fixture corresponds to the correct application before beginning installation.
- Before attempting installation of any recessed lighting fixture, ensure that the electrical wiring conforms to the National Electrical Code NEC® and local regulations if applicable.
- The insulated ceiling or I.C. approved recessed fixture is one that can be installed in direct contact with insulation.
- The National Electrical Code NEC® does not permit cords to be concealed where damage to the cord's insulation may go unnoticed. To prevent fire damage, do not run cord behind walls, ceilings, soffits or cabinets where it may be inaccessible for examination. Cords should be visually examined periodically and immediately replaced when any damage is noted.
- To reduce the risk of fire, electric shock or injury to persons, do not make or alter any open holes in a wiring enclosure or in any electrical components during kit installation.
- To prevent wiring damage or abrasion, do not expose wiring to edges of sheet metal or other sharp objects. There are no serviceable parts inside the fixture.
- Do not mount near gas or electrical heaters.
- Suitable for Damp Locations.
- Equipment should be mounted in locations and at heights where it will not be readily subjected to tampering by unauthorized personnel.
- The use of accessory equipment not recommended by the manufacturer may cause an unsafe condition.
- Any modification or use of non-original components will void the warranty and product liability.
- Do not use this equipment for other than intended use.

SAVE THESE INSTRUCTIONS!

Technical Support ■ (623) 580-8943 ■ technicalsupport@barronltg.com

BL350 Series

Installation Instructions

New Construction Installation

1. For joist-type ceilings, extend bar hangers to fit between joists. Position the fixture temporarily by hammering "nail" into joists (Fig. 1). Then secure permanently with nails. Hangers should be level with the bottom of the joists.
2. For suspended (T-bar) ceilings, extend bar hangers 1" past T-bars, then rest the fixture on the T-bars. Secure fixture to T-bars with wire. (Fig. 2)
3. Open junction box cover and connect the corresponding wires to each other. For 120V Triac Dimming please refer to (Fig. 3) and for 120/277V 0-10V Dimming please refer to (Fig. 4).
4. If dimmer switch is being used, for 120V Triac Dimming please refer to (Fig. 5) below. For 120/277V 0-10V Dimming please refer to (Fig. 6) below.
5. Locate the center of the proposed opening on your tile or ceiling material and mark it. Use a compass to draw a circle that measures 3-3/4" in diameter around the center point. Cut along the circle to make your hole.

Fig. 1

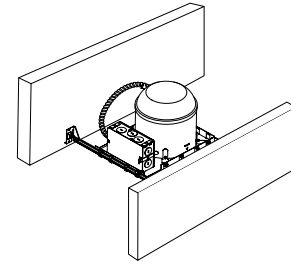


Fig. 2

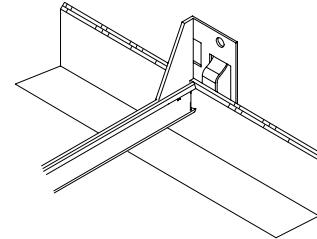


Fig. 5

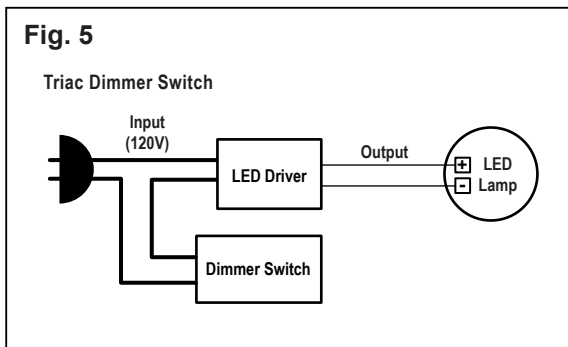


Fig. 3

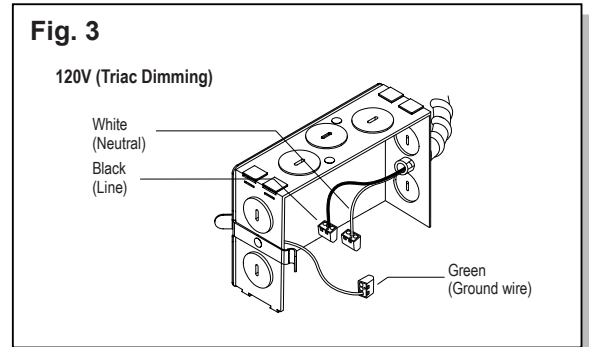


Fig. 6

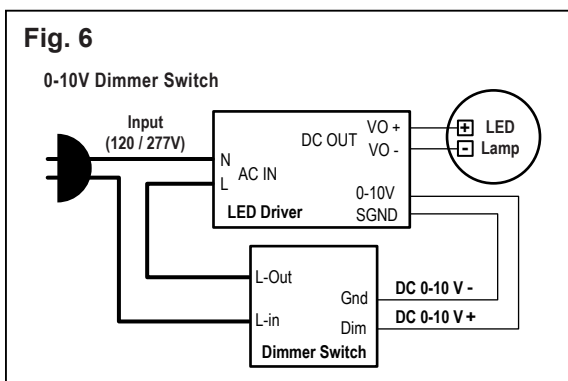
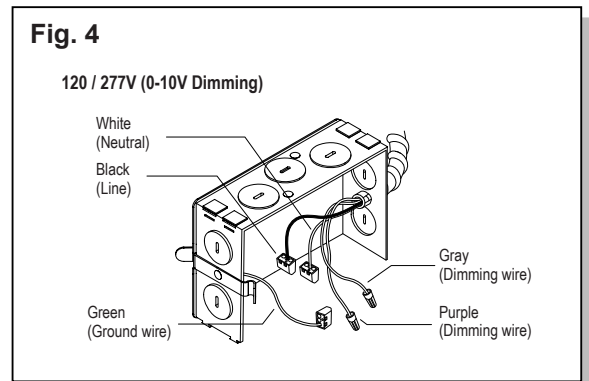


Fig. 4



BL350 Series

Installation Instructions

Remodel Housing Installation

1. Locate the center of the proposed opening on your tile or ceiling material and mark it. Use a compass to draw a circle that measures 3-3/4" in diameter around the center point. Cut along the circle to make your hole.
2. Open junction box cover and connect the corresponding wires to each other. For 120V Triac Dimming please refer to (Fig. 1) and for 120/277V 0-10V Dimming please refer to (Fig. 2).
3. If dimmer switch is being used, for 120V Triac Dimming please refer to (Fig. 4) below. For 120/277V 0-10V Dimming please refer to (Fig. 5) below.
4. Push the remodel clips into the can. Insert the housing into the ceiling cutout. Pull the fixture up through the hole and then push the remodel clips in order to secure the fixture. (Fig 3)

