

IMPORTANT SAFEGUARDS READ AND FOLLOW ALL SAFETY INSTRUCTIONS.

When using electrical equipment, basic safety precautions should always be followed including the following:

- **DISCONNECT AC POWER SUPPLY BEFORE SERVICING.**
- Installation and servicing of this equipment should be performed by qualified service personnel only.
- Ensure the electricity connections conform to the National Electrical Code and local regulations if applicable.
- Do not mount near gas or electrical heaters.
- Equipment should be mounted in locations and at heights where it will not readily be subjected to tampering by unauthorized personnel.
- The use of accessory equipment not recommended by the manufacturer may cause an unsafe condition. Any modification or use of non-original components will void the warranty and product liability.
- Do not use this equipment for other than intended use.

SAVE THESE INSTRUCTIONS!

B: Chain Mounting with V hook

Attach customer supplied V-Hooks to each end of the luminaire base.
Attach customer supplied chain to the V-hooks and mounting surface.

C: Surface Mounting (Fig. C)

Secure luminaire base to mounting surface by inserting suitable fasteners (provided by others) into the key hole slots on the top side of the luminaire housing, and attaching the fasteners to a mounting surface.

D: T-Bar Clip Mounting (Fig. D)

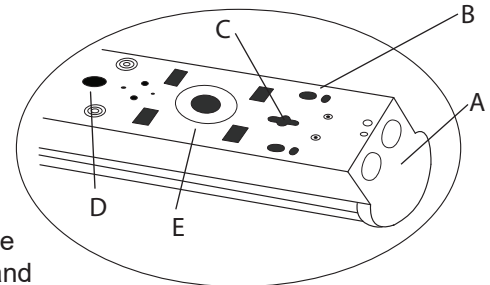
Attach T-Bar clips (provided by others) to the designated slots on the luminaire housing as shown in (Fig.1) Position the luminaire into the T-Bar ceiling grid and secure the luminaire to grid.

Connect incoming power to driver. Use the General Wiring Diagram on page 2 for reference.

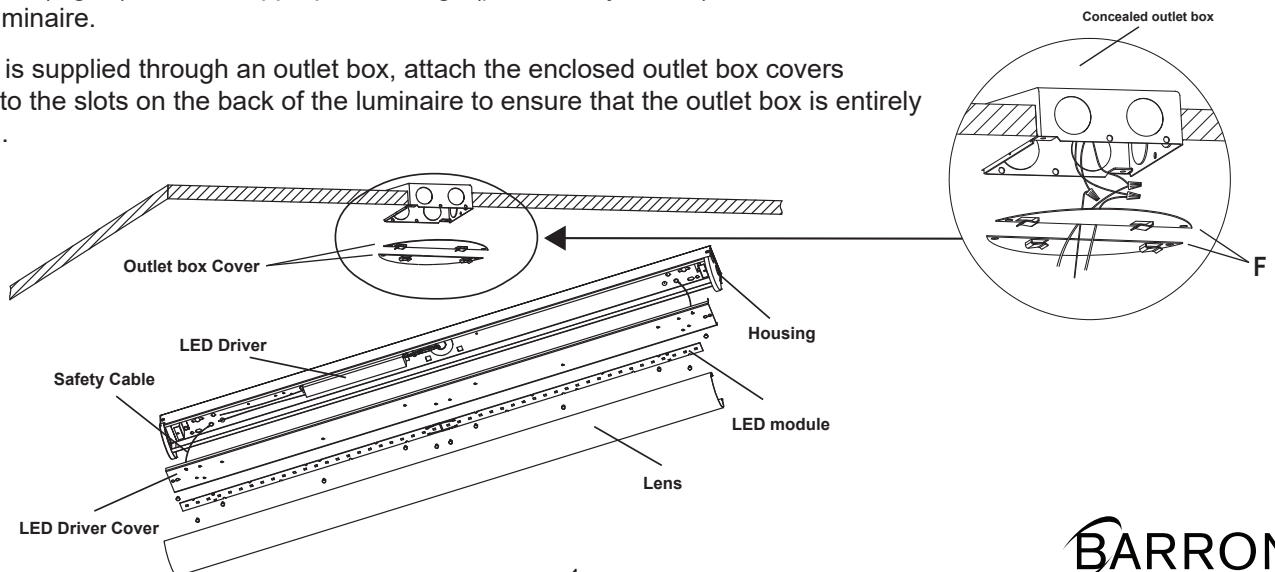
E: If electrical conduit is used to supply incoming power to the luminaire, remove wiring knock outs (Fig. E), and use appropriate fittings (provided by others) to attach conduit to the luminaire.

F: If power is supplied through an outlet box, attach the enclosed outlet box covers (Fig. F) to the slots on the back of the luminaire to ensure that the outlet box is entirely covered.

Mounting Options



- A:** End Cap
- B:** Slot for V hook (used with chain mounting)
- C:** Slot for surface mounting fasteners
- D:** Slot for T-Bar clip mounting
- E:** Wiring Knockouts
- F:** Outlet box cover (2 pieces)



After installing the luminaire, make wiring connections as shown in the wiring diagram.

- Connect the black luminaire input power wire to the supply line (hot) wire.
- Connect the white luminaire input power wire to the supply neutral wire.
- Connect the green luminaire input power wire to a ground wire or surface.

If a dimming control is used, connect the purple (DIM+) dimming wire to the purple wire from the 0-10v dimming control, and connect the grey (DIM-) dimming wire to the grey wire from the 0-10v dimming control. If a dimming control is not used, cap the driver dimming leads with UL approved wire nuts.

Notes:

- Green ground screw is provided in the proper location. Do not relocate the screw.
- Use minimum 90° C supply conductors
- Specifications and dimension subject to change without notice.
- Suitable for dry or damp locations.

