

IMPORTANT SAFEGUARDS READ AND FOLLOW ALL SAFETY INSTRUCTIONS.

When using electrical equipment, basic safety precautions should always be followed including the following:

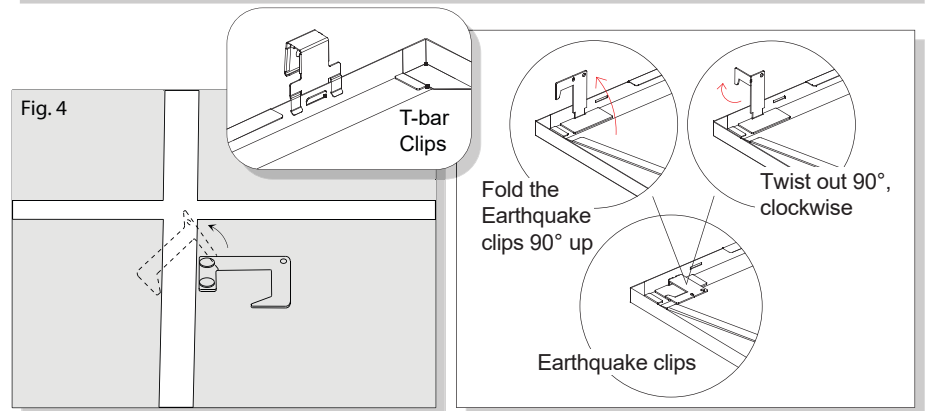
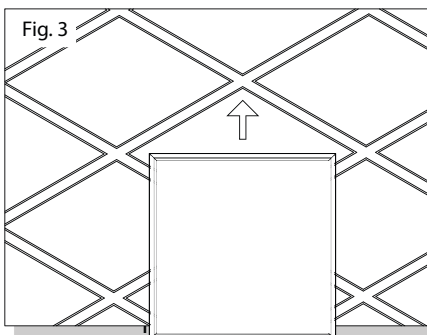
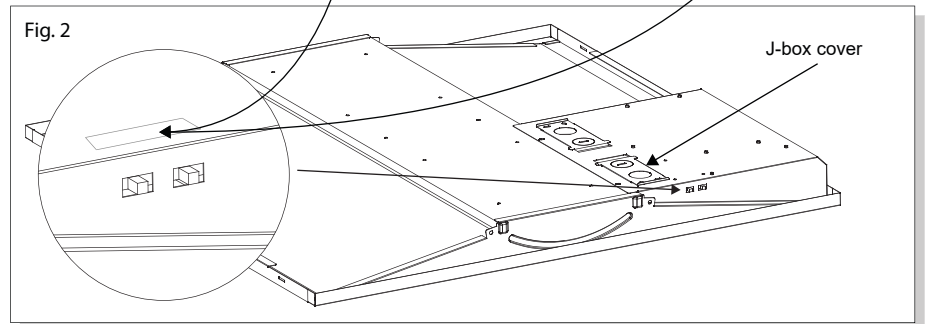
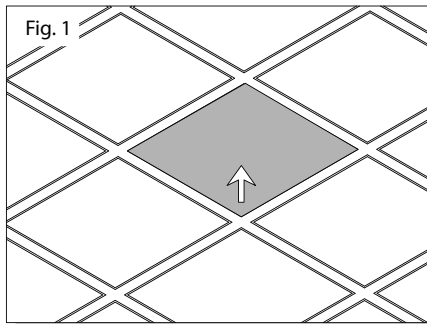
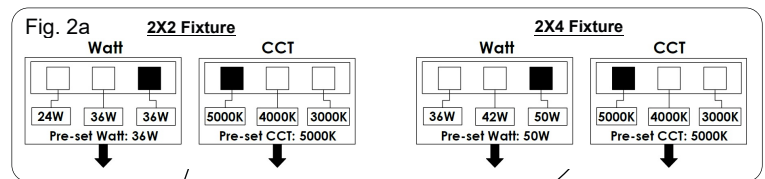
- **DISCONNECT AC POWER SUPPLY BEFORE SERVICING.**
- Installation and servicing of this equipment should be performed by qualified service personnel only.
- Ensure that the electrical wiring conforms to the National Electrical Code NEC® and local regulations if applicable.
- Do not mount near gas or electrical heaters.
- Equipment should be mounted in locations and at heights where it will not be readily subjected to tampering by unauthorized personnel.
- The use of accessory equipment not recommended by the manufacturer may cause an unsafe condition.
- Any modification or use of non-original components will void the warranty and product liability.
- Do not use this equipment for other than intended use.

SAVE THESE INSTRUCTIONS!

Technical Support ■ (623) 580-8943 ■ technicalsupport@barronltg.com

Recessed Grid Ceilings

1. Remove ceiling panel and neighboring panels for adequate access while installing the fixture (Fig. 1).
 2. Place fixture, lens face down on a flat, clean surface and remove J-box cover.
 3. Set adjustment switches on J-box as desired for wattage and color temperature (CCT) (Fig. 2 and 2a)
 4. Take the fixture, rotate 45°, lift up and then through the ceiling grid (Fig. 3).
 5. Remove appropriate knockout from J-box cover, connect conduit and make electrical connections; See **Electrical Connections** section.
 6. If dimming control device is used, run low voltage control wires into the driver J-box.
 7. Locate (4 or 6 depending on the model) earthquake clips, pull tabs upright and twist out, then place fixture on T-bar to hold in place (Fig. 4).
- Note:** If using T-bar clip once install to the housing place fixture on the T-bar to hold in place.
8. Install additional cable from fixture to ceiling structure to meet building code.



Electrical Connections

Electrical connections should be made inside J-box.

- Connect the line fixture lead to the black supply lead.
- Connect the common fixture lead to the white supply lead.
- Connect the ground lead from the service to the green grounding screw or to the ground lead coming from the housing.

Note: If dimming wires are not used, make sure they are capped.

This fixture auto adjusts for voltages between 120VAC - 277VAC.

Wiring Diagrams

