



IMPORTANT SAFEGUARDS READ AND FOLLOW ALL SAFETY INSTRUCTIONS.

When using electrical equipment, basic safety precautions should always be followed including the following:

- **DISCONNECT AC POWER SUPPLY BEFORE SERVICING.**
- Installation and servicing of this equipment should be performed by qualified service personnel only.
- Ensure that the electrical wiring conforms to the National Electrical Code NEC® and local regulations, if applicable.
- Do not mount near gas or electrical heaters.
- Do not use outdoors.
- Do not let power supply cords touch hot surfaces.
- Equipment should be mounted in locations and at heights where it will not be readily subjected to tampering by unauthorized personnel.
- The use of accessory equipment not recommended by the manufacturer may cause an unsafe condition.
- Any modification or use of non-original components will void the warranty and product liability.
- Do not use this equipment for other than intended use.
- Allow battery to charge for 24 hours before first use.
- Use caution when servicing batteries. Battery acid can cause burns to skin and eyes. If acid is spilled on skin or eyes, flush acid with fresh water and contact a physician immediately.
- Unpack and check for concealed transit damage.
- Report any transit damage to delivering carrier and file claim.

SAVE THESE INSTRUCTIONS!

Technical Support ■ (623) 580-8943 ■ technicalsupport@barrontlg.com

Ceiling or End Mount

1. Pull out the clear lens on the bottom of the unit. (Fig. 1)
2. Pop the faceplate off by pushing in the snap-in clips on the housing and pulling away the plate. (Fig. 2)
3. Remove and set aside the mounting hardware kit. Pull out the mounting hole cover from the top or side of the sign. Feed the AC supply wires through the mounting hole and out of the housing.
4. Secure (snap in) the canopy to the housing, through the mounting cover hole. The AC supply wires need to be redirected through the hole on the canopy. (Fig. 3)
5. Determine the position the EXIT needs to be mounted (the way the face needs to be pointed). Use the included J-box mounting plate and screws to accomplish this. (Fig. 4)
6. Make electrical connections; see **Electrical Connections** section.
7. Now mount the sign to the J-box plate with the screws provided and tighten securely.
8. Remove the proper chevron(s) from the exit legend(s) if necessary.
9. Attach battery jumper wire to PCB, replace faceplate, and snap the clear lens back on to complete installation.

Wall Mount

1. Pull out the clear lens on the bottom of the unit. (Fig. 1)
2. Pop the faceplate off by pushing in the snap-in clips on the housing and pulling away the plate. (Fig. 2)
3. Remove and set aside the mounting hardware kit. Remove the center knockout and any additional knockouts that will match the J-box.
4. Route the wires through the center knockout. Make electrical connections; see **Electrical Connections** section. Push wires back against the back of the sign to minimize any of the wires interfering with the illumination of the letters.
5. Mount the sign to the J-box.
6. Remove the proper chevron(s) from the EXIT legend(s) if necessary.
7. Attach battery jumper wire to PCB, replace faceplate, and snap the clear lens back on to complete installation.

Fig. 1



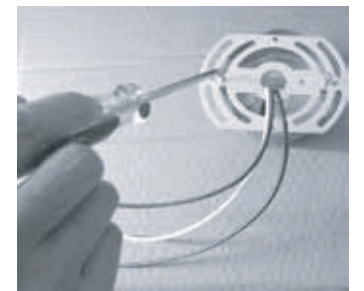
Fig. 2



Fig. 3



Fig. 4



CLED Series

Installation Instructions

Removing Chevrons

1. Snap out the colored lens from the back of the faceplate.
2. Push out the required chevrons from the sign.

Adjusting the Light Pipe

The LED Light Pipe on the bottom of the unit can be rotated to set the direction of the light output. To do this, use a flat screwdriver and turn the knob (next to the test switch) on the side of the unit.

Electrical Connections

All electrical connections should be made inside the J-box. Make electrical connections as follows:

120VAC

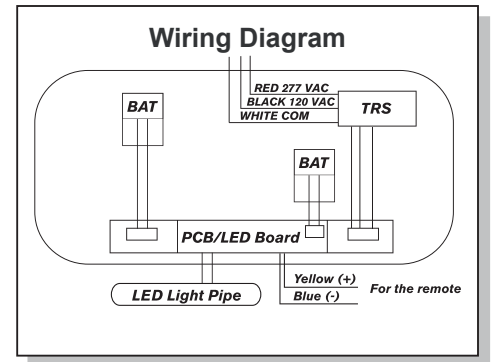
White - Common
Black - 120VAC

277VAC

White - Common
Red/Orange - 277VAC

Note: Cap unused leads to prevent shorting.

Be sure all wiring is routed around cavity of enclosure to avoid shadowing on faceplate.



Self-Test/Self-Diagnostics (G2)

Operation

The purpose of this option is to provide Self-testing and Self-diagnostic capabilities to the emergency unit. At predetermined intervals, the emergency unit will automatically switch into battery mode. Refer to the **Self-Test Feature** section below for timing details. The emergency unit will also perform various Self-diagnostic tests to determine if there are any faults. Visual signaling will alert maintenance personnel to a fault of the emergency unit electronics, battery, and/or battery charger. The circuitry continuously monitors the operating condition of the emergency unit and battery charging circuit/battery supply voltage. Refer to the **LED Indicator** section below for fault reporting details.

Self-Test Feature

- The emergency unit will automatically switch to battery mode every 30 days for a period of 30 seconds.
- The emergency unit will automatically switch to battery mode every 180 days for a period of 30 minutes.
- The emergency unit will automatically switch to battery mode every 365 days for a period of 90 minutes.

LED Indicator

Once the unit is properly installed according to the installation instruction sheet and AC power is supplied, the unit will turn on and the Self-diagnostic test function will initiate. After this, the bi-color LED will indicate the status of the unit.

- A steady green LED indicates that normal AC power is being supplied to the emergency unit and the battery is charged.
- A blinking green LED indicates that the unit is in battery mode. Refer to the **Test Button Feature** section below for manual test details.
- A red/green flashing LED indicates that the battery is charging.
- A red LED indicates whenever the Self-diagnostic system has detected a fault condition. Refer to the chart below to determine the fault condition:

Red LED Indication	Unit Fault	Corrective Action
Steady Red	Battery is Disconnected	Check Battery Connection
Blinking 1 Time	Electronics Failure	Check Battery Then Consult Factory
Blinking 2 Times	Battery Failure	Check Battery Then Consult Factory
Blinking 3 Times	Red or Green LED Failure	Check Battery Then Consult Factory
Blinking 4 Times	Emergency Lamp	Check Lamp Connections Then Consult Factory
Blinking 5 Times	Remote Lamp (If Equipped)	Check Remote Lamp Connections Then Consult Factory

Test Button Feature

MANUAL TEST – Pressing the test button will switch the unit into battery mode for a set amount of time. The desired length of the test is determined by the number of times the test button is pressed.

- Pressing the test button once will switch the unit into battery mode for a period of 30 seconds. The LED indicator will continuously blink green 1 time during this period.
- Pressing the test button twice within 2 seconds will switch the unit into battery mode for a period of 30 minutes. The LED indicator will continuously blink green 2 time during this period.
- Pressing the test button 3 times within 2 seconds will switch the unit into battery mode for a period of 90 minutes. The LED indicator will continuously blink green 3 time during this period.

RESET – Pressing and holding the test button for 3 seconds will cancel a test. Pressing and holding the test button for 6 seconds will reset the LED to a steady green. If multiple faults are present, it may be necessary to repeat this procedure for each remaining fault indicated by the blinking red LED.

Use in accordance with local building codes.