



## IMPORTANT SAFEGUARDS READ AND FOLLOW ALL SAFETY INSTRUCTIONS.

When using electrical equipment, basic safety precautions should always be followed including the following:

- **DISCONNECT AC POWER SUPPLY BEFORE SERVICING.**
- **DANGER - Do not install or service unless area is known to be nonhazardous. This sign has more than one power supply connection.**
- Installation and servicing of this equipment should be performed by qualified service personnel only.
- Ensure that the electrical wiring conforms to the National Electrical Code NEC® and local regulations, if applicable.
- To prevent ignition of hazardous atmospheres, disconnect fixture from the supply circuit before opening. Keep tightly closed when in operation. When AC power is disconnected, the battery power will be live.
- To reduce risk of fire or explosion, do not install where the marked operating temperature exceeds the ignition temperature of the hazardous atmosphere(s).
- Do not mount near gas or electrical heaters.
- Do not let power cords touch hot surfaces.
- Do not attempt to service the battery inside this fixture. This fixture incorporates a sealed, no maintenance battery that is not field replaceable. Contact the manufacturer for information on factory replacements.
- Equipment should be mounted in locations and at heights where it will not be readily subjected to tampering by unauthorized personnel.
- The use of accessory equipment not recommended by the manufacturer may cause an unsafe condition.
- Any modification or use of non-original components will void the warranty and product liability.
- Do not use this equipment for other than intended use.

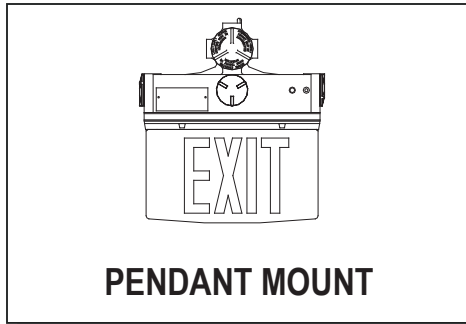
## SAVE THESE INSTRUCTIONS!

Technical Support ■ (623) 580-8943 ■ [technicalsupport@barrontlg.com](mailto:technicalsupport@barrontlg.com)

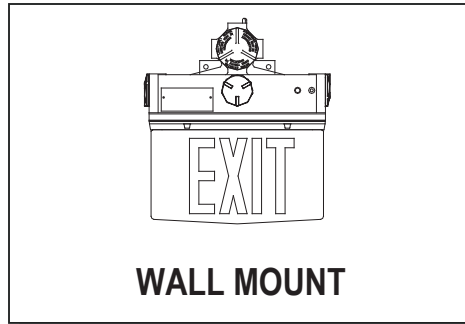
### INSTALLATIONS

#### Typical Installations

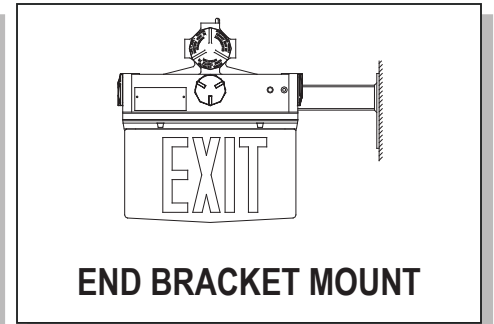
These fixtures are provided with 1/2" NPT hubs.



**PENDANT MOUNT**



**WALL MOUNT**



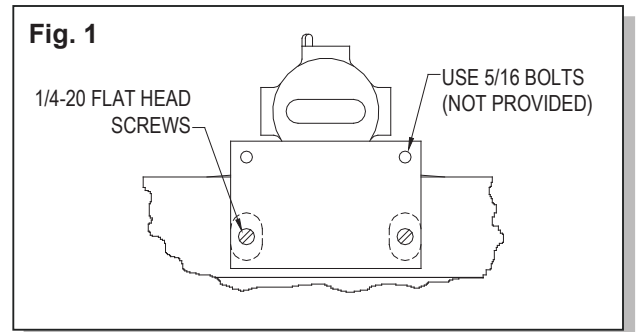
**END BRACKET MOUNT**

#### Pendant Mount

1. Loosen the set screw provided in the top hub.
2. Attach conduit to the top hub, making sure that at least five full threads are engaged and conduit is tight as per the requirements of the NEC.
3. Tighten the set screw.
4. Make electrical connections; see **Electrical Connections** section.

#### Wall Mount

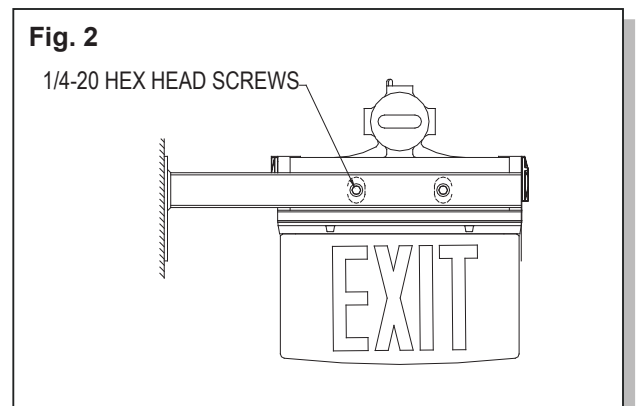
1. Install Wall Mount Plate to the back of the fixture by means of two each 1/4 - 20 Flat Head screws provided. Flat Head screws must be securely fastened. Install the fixture to the wall by means of the Wall Mount Plate using two 5/16 in. Bolts (provided by others). (Fig. 1)
2. Attach conduit to any of the three 1/2" NPT hubs on the fixture, making sure that at least five full threads are engaged and conduit is tight as per the requirements of the NEC.
3. Make electrical connections; see **Electrical Connections** section.



**Fig. 1**

#### End Bracket Mount

1. Install End Bracket to wall using four 5/16 in. Bolts (provided by others). Install fixture to the End Bracket using two each 1/4-20 Hex Head screws, lock washers and flat washers provided. (Fig. 2)
2. Attach conduit to hub on the fixture, making sure that at least five full threads are engaged and conduit is tight as per the requirements of the NEC.
3. Make electrical connections; see **Electrical Connections** section.



**Fig. 2**

### Electrical Connections

All electrical connections should be made inside the J-box. Make electrical connections as follows:

#### 120VAC

White - Common  
Black - 120VAC  
Green - Ground

#### 277VAC

White - Common  
Orange - 277VAC  
Green - Ground

**Note:** Cap unused leads to prevent shorting.

### Maintenance

**All maintenance procedures are to be performed only when the atmosphere surrounding the fixture is non-hazardous.**

1. Visually inspect the red LED marked "AC". It should be illuminated when AC power is on.
2. Test the emergency operation of the fixture once every 3 months. Exit Sign should illuminate under battery power when AC power is removed from the fixture.
3. Conduct a 90 minute discharge test once a year. Exit Sign should illuminate under battery power for at least 90 minutes when AC power is removed from the fixture.
4. Replace battery only with batteries provided by the manufacturer.
5. This fixture contains sealed Ni-Cad batteries. Used Ni-Cad batteries may not be disposed of in the municipal solid waste stream. Ni-Cad batteries must be recycled or disposed of properly. For information on local recycling drop off points, phone toll free 1-800-BATTERY.