

IMPORTANT SAFEGUARDS READ AND FOLLOW ALL SAFETY INSTRUCTIONS.

When using electrical equipment, basic safety precautions should always be followed including the following:

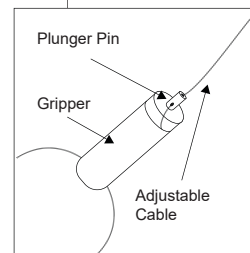
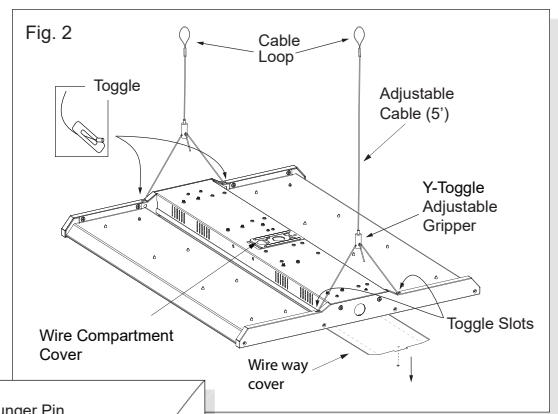
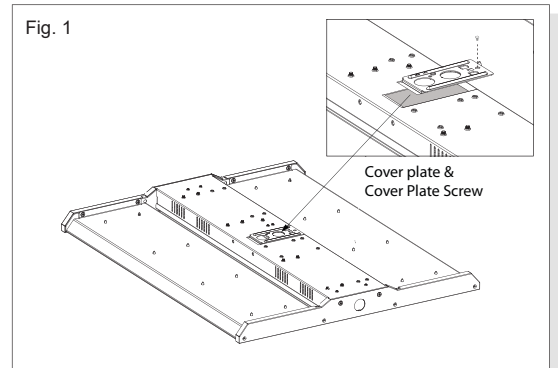
- **DISCONNECT AC POWER SUPPLY BEFORE SERVICING.**
- Installation and servicing of this equipment should be performed by qualified service personnel only.
- Ensure that the electrical wiring conforms to the National Electrical Code NEC® and local regulations if applicable.
- Do not mount near gas or electrical heaters.
- Equipment should be mounted in locations and at heights where it will not be readily subjected to tampering by unauthorized personnel.
- The use of accessory equipment not recommended by the manufacturer may cause an unsafe condition.
- Any modification or use of non-original components will void the warranty and product liability.
- Do not use this equipment for other than intended use.

SAVE THESE INSTRUCTIONS!

Technical Support ■ (623) 580-8943 ■ technicalsupport@barronltg.com

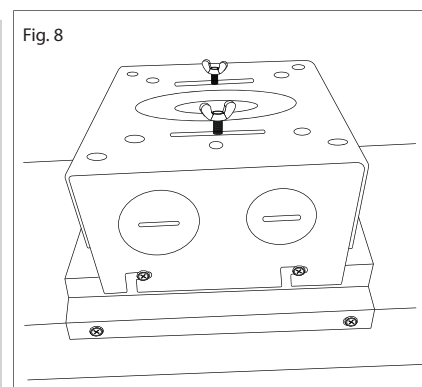
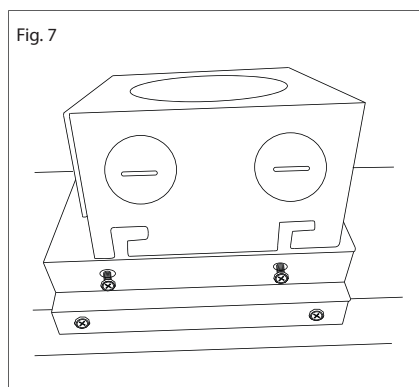
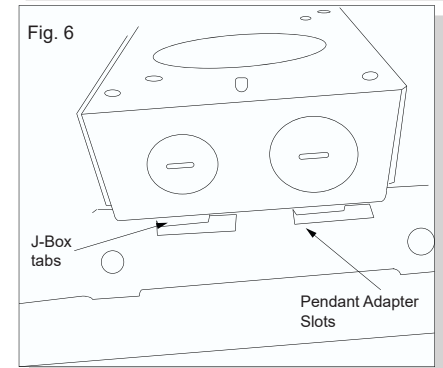
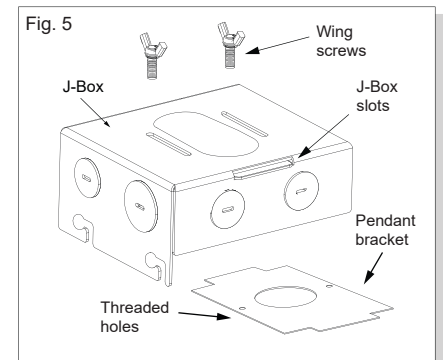
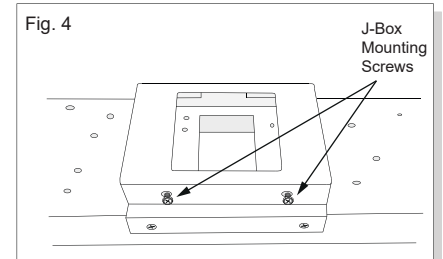
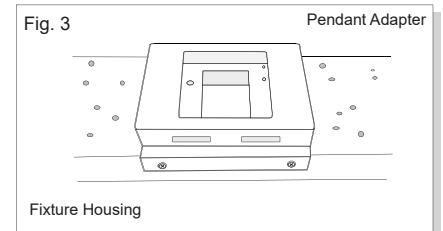
Cable Mount

1. Remove cover plate screw, disengage and remove cover plate, then remove connection wiring. (Fig. 1)
2. Insert each toggle end of one cable assembly into the elongated holes located at the end of the fixture. Repeat toggle end insertion with the second cable assembly on the other end of the fixture. (Fig. 2)
3. Make sure toggles are fully engaged and secure before hanging fixture.
4. Attach the cable loops at the top ends of the cable assemblies onto suitable anchors or hooks (supplied by others) (Fig. 2).
5. Attach flexible conduit to fixture and route wires using available knockout locations.
6. Removal of wireway cover screw and wireway for access is optional. Re-install when installation is complete (Fig 2).
7. Make wire connections per **Wiring Diagram** and all applicable codes.
8. Re-install cover plate and cover plate screw.
9. Adjust height and level of fixture with cable adjusters by depressing plunger pin and adjusting cable length.
11. Verify security of installation.
12. Cable mount installation complete.



Pendant Mount

1. Remove cover plate screw, disengage and remove cover plate (Fig. 1).
2. Remove connection wiring from within fixture.
3. Locate pendant adapter. Locate four small tabs on inside bottom.
4. Locate 4 slots on fixture housing.
5. Pass fixture wiring through the pendant adapter. Snap the pendant adapter onto the fixture housing by engaging four pendant adapter tabs into four slots on sides of the fixture housing.
6. Secure the pendant adapter to fixture housing with (4) screws provided. Use thread locking liquid.
7. Insert the pendant bracket into the J-Box, engaging tabs into slots and secure with 2 wing screws (Fig. 5).
8. Partially thread two J-Box mounting screws into the pendant adapter/fixture assembly (Fig. 4).
9. Hook the tabs of J-Box into two slots in pendant adapter/fixture assembly (Fig. 6).
10. Make electrical connections per **Wiring Diagram** and all applicable codes.
11. Align elongated screw slots of J-Box over the pendant adapter/fixture assembly screws and engage (Fig. 7 & 8).
12. Shift pendant adapter/fixture assembly to fully engage screws in J-Box slots. Tighten securely using thread locking liquid (Fig. 8).
13. Discard cover plate and cover plate screw.
14. Pendant mount installation complete.



Wiring Diagram

Check fixture label for correct voltage capability.

Make electrical connections as follows:

If present,
Black with White stripe - Unswitched Power

Black - Switched Line
White - Neutral
Green/Yellow Green - Ground

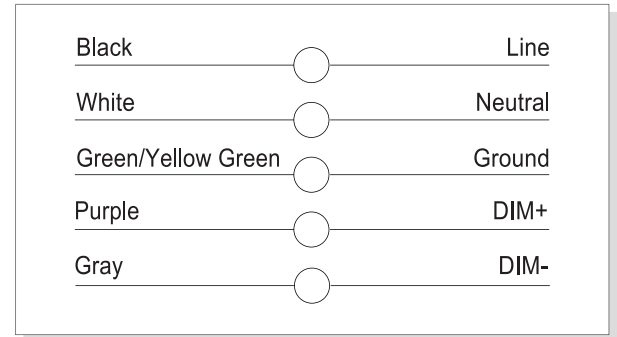
If Dimming is present:
Purple - DIM+
Gray - DIM-

Battery back-up equipped fixture:

Refer to battery backup instruction for operation.

Motion Sensor equipped fixture:

Refer to motion sensor instructions for operation.



Troubleshooting

If the fixture does not operate correctly:

1. Check incoming voltage to the LED driver(s), voltage must be per fixture label.
2. If all LEDs do not illuminate, the driver(s) may be disconnected. Ensure driver(s) are secure. If secure, use multimeter to check voltages at the output. If low or no voltage, consult the factory.
3. If some, but not all LEDs are illuminated, consult the factory for additional technical support.
4. Battery back-up equipped fixtures: Check that the battery and test button are securely connected. Check the battery using a multimeter. If the voltage is below the rating written on the battery, replace the battery.