

The EMX-G3 is designed to comply with the latest New York City codes and performance standards. Rugged 20 gauge steel, adjustable 5VA flame-retardant thermoplastic LED lamp heads. Ideal for retail, commercial and industrial applications.

The **GUARDIAN G3** remote monitoring and reporting system from Exitronix simplifies code compliance and significantly reduces operating and maintenance costs by offering automated testing, remote monitoring and reporting of emergency fixture status from a centralized location. For standard fixtures without remote monitoring and reporting, [click here](#).

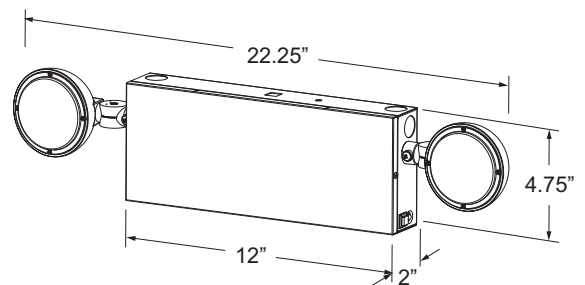
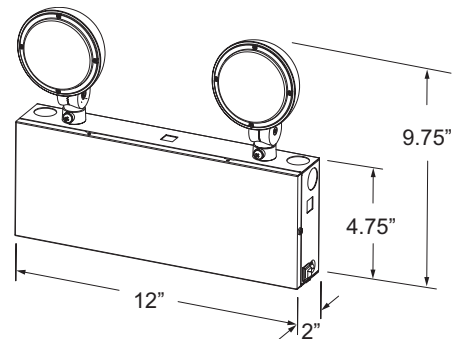
**FEATURES & BENEFITS**

- Meets City of New York Emergency Code requirements
- Includes GUARDIAN G3 self-test/self-diagnostics with remote monitoring and reporting
- Enclosure constructed of rugged 20 gauge steel
- UL 924 Listed for Damp Locations
- Two (2) top or side mounted 0.85W lamps or three (3) top mounted 0.85W lamps

**SPECIFICATIONS**

ILLUMINATION:	Two (2) top or side mounted 0.85W lamps or three (3) top mounted 0.85W lamps
HOUSING:	20 Gauge steel
INPUT:	120/277VAC Dual primary, 60Hz
BATTERY:	Maintenance-free NiCad battery
OPERATING TEMP:	10°C to 40°C (50°F to 104°F)
RUN TIME:	UL Listed 90 minute emergency run time, 24 hour recharge time
ELECTRICAL:	Brownout protection, low voltage disconnect, overload disconnect, short circuit disconnect, solid state transfer
MOUNTING:	Universal mounting pattern and keyhole slots for wall mounting
FINISHES:	Black or white
CERTIFICATIONS:	UL 924 Listed, meets or exceeds NEC requirements and NFPA 101. Meets City of New York Emergency Code requirements
WARRANTY:	Any component that fails due to a manufacturing defect is guaranteed for five years with a separate five year prorated warranty on the battery. The warranty does not cover physical damage, abuse or instances of uncontrollable natural forces. See the full Exitronix warranty document for detailed information. (Terms and Conditions apply)

Model: \_\_\_\_\_ Date: \_\_\_\_\_  
 Accessories: \_\_\_\_\_  
 Job Name: \_\_\_\_\_ Type: \_\_\_\_\_



**ORDERING INFORMATION** Example: EMX-2T-WH-G3 (For standard fixtures without remote monitoring and reporting, [click here.](#))

Series	Lamp Heads	Finish	Self-test/Self-diagnostics
EMX	2T = 2 Top Mounted Lamp Heads	BL = Black	G3 <sup>1</sup> = Self-test/Self-diagnostics, Remote Monitoring and Reporting
	2S = 2 Side Mounted Lamp Heads	WH = White	G3PRO <sup>1,2</sup> - Self-test/Self-diagnostics, Remote Monitoring and Reporting w/Automated Email Notifications
	3T = 3 Top Mounted Lamp Heads		
			<b>Accessories<sup>3</sup></b> (Field installed, order as separate line item)
			GTWY-PRIMARY - Primary Remote Reporting Gateway
			GTWY-SECONDARY - Secondary Remote Gateway, Extends Range
			ROUTER - Wireless Internet Router
			TAB10 - 10" Tablet, Includes Guardian G3 Software
			TAB12 - 12" Tablet, Includes Guardian G3 Software
<b>Notes</b>			WALLBRKXX - Tablet Wall Bracket (XX = Specify 10" or 12" Tablet)
<sup>1</sup> Requires additional equipment, consult factory for details			WALLBRK-LOCKXX - Locking Wall Bracket (XX = Specify 10" or 12" Tablet)
<sup>2</sup> Requires internet connection, supplied by facility			STANDBRKXX - Tablet Stand (XX = Specify 10" or 12" Tablet)
<sup>3</sup> Order as separate line item			STANDBRK-LOCKXX - Locking Tablet Stand (XX = Specify 10" or 12" Tablet)

**ELECTRICAL RATINGS**

Model	NiCad Battery	Brownout	Low Voltage Disconnect	Overload Disconnect	Short Circuit Disconnect	Solid State Transfer	Input				Output	
							VAC	Hz	mA	W	Lamps	Lumens
EMX-2T(S)-XX-G3	3.6V 1000mAh	Yes	Yes	Yes	Yes	Yes	120/277	50/60	25	1.5	2 x 0.85W	220lm
EMX-3T-XX-G3	3.6V 1600mAh	Yes	Yes	Yes	Yes	Yes	120/277	50/60	25	1.5	3 x 0.85W	330lm

**CONSTRUCTION**

The EMX-G3 Series has a die-formed 20 gauge steel housing with a white or black powder coated finish. Lamp heads are constructed out of ABS 5VA flame-retardant plastic. White finish is standard. Universal J-box mounting pattern and keyhole slots provided for simple installation. Knockouts are provided on top, back, and sides for easy wire entry.

**ILLUMINATION**

Fully adjustable, attractive LED lamp heads allow for maximum light to be delivered to the path of egress. Up to three lamp heads may be installed on each emergency unit. Emergency lights consist of two or three 0.85W glare-free LED lamp heads.

**ELECTRICAL**

**Input**

Dual-voltage input 120/277VAC @ 60Hz.

**Sealed Nickel Cadmium Battery - NiCad**

Extronix nickel cadmium batteries are maintenance-free.

**Emergency**

The EMX-G3 Series will operate for a minimum of 90 minutes during a loss of power with a 24 hour maximum recharge time for the battery.

**Damp Location Rated**

Damp Location Rated fixture that is normally or periodically subject to condensation of moisture in, on or adjacent to, and includes partially protected locations.

**Test Button**

The test button is easy to locate and provides manual verification of the transfer circuit and emergency lamps.

**INSTALLATION**

A universal J-box mounting pattern and rear keyhole slots are provided for wall mounting.

**GUARDIAN G3 Self-test/Self-diagnostics, Remote Monitoring and Reporting**

The circuit continuously monitors the operating condition of the AC power, battery supply voltage and charging circuit.

The purpose of this option is to provide visual signaling in response to a fault at the unit equipment battery and/or battery charger. If a failure is detected, visual status will occur immediately via the dual color LED. Refer to instruction manual for detailed information.

The circuit also monitors the transfer circuit as well as performing automatic code compliance testing.

The GUARDIAN G3 remote monitoring and reporting system provides wireless communication between emergency fixtures, enabling maintenance personnel to maintain and test emergency lighting equipment from a central location. System requires additional equipment and setup, consult factory for more information.

**GUARDIAN G3PRO Self-test/Self-diagnostics, Remote Monitoring and Reporting with Automated Email Notifications**

The G3PRO model has the features of the standard G3 but adds automated email notifications of fixture status reports (requires internet connection, supplied by facility).

**CONFORMANCE TO CODES & STANDARDS**

The EMX-G3 Series is UL 924 Listed for Damp Locations, meets or exceeds NEC requirements and NFPA 101. Meets City of New York Emergency Code requirements.

**ON-CENTER SPACING** (Using multiple units mounted at a typical 7.5 foot height, 85/50/20 reflectance)

Model	# of LED Lamps	3' Path, 6' Corridor	6' Path, 6' Corridor
EMX-2T	2	36'	41'
EMX-3T	3	52'	45'
EMX-2S	2	36'	31'