

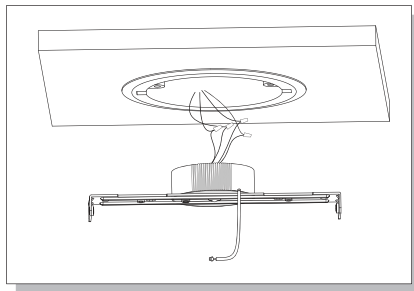
IMPORTANT SAFEGUARDS READ AND FOLLOW ALL SAFETY INSTRUCTIONS.

When using electrical equipment, basic safety precautions should always be followed including the following:

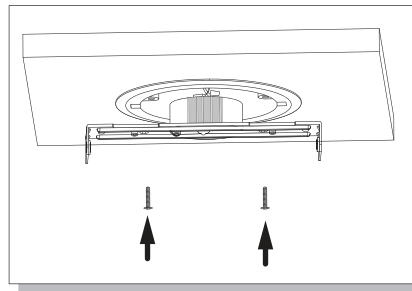
- **DISCONNECT AC POWER SUPPLY BEFORE SERVICING.**
- Installation and servicing of this equipment should be performed by qualified service personnel only.
- Ensure that the electrical wiring conforms to the National Electrical Code NEC® and local regulations if applicable.
- Do not mount near gas or electric heaters.
- Do not use outdoors.
- Equipment should be mounted in locations and at heights where it will not be readily subjected to tampering by unauthorized personnel.
- The use of accessory equipment not recommended by the manufacturer may cause an unsafe condition.
- Any modification or use of non-original components will void the warranty and product liability.
- Do not use this equipment for other than intended use.

SAVE THESE INSTRUCTIONS!

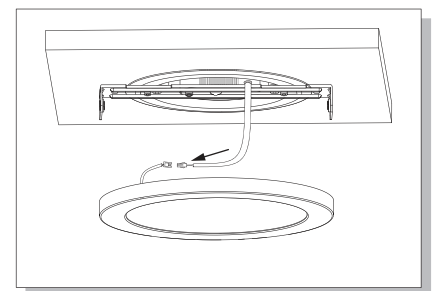
Surface Mount



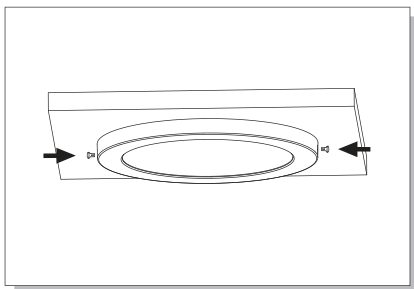
1. Make wire connections (see Wiring diagram).



2. Install the mounting bracket to the J-box with provided hardware.

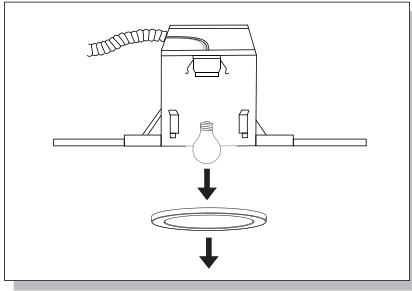


3. Connect light wire connector to driver connector.

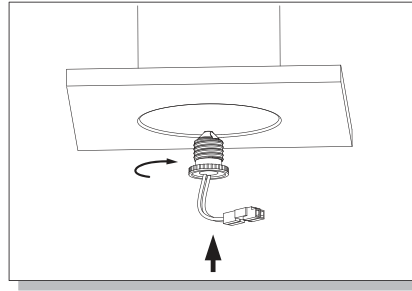


4. Align the light slots with the mounting bracket slots and secure with plastic push-in clips. Press light flush with surface and install optional magnetic trim ring if compatible.

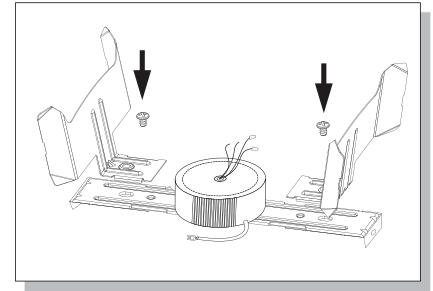
4" Recessed Can Mount



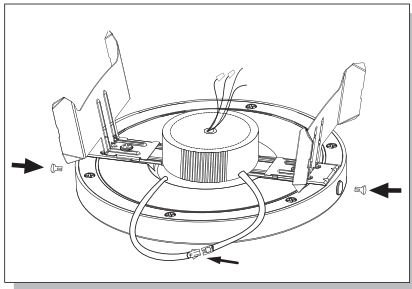
1. Remove old trim and bulb.



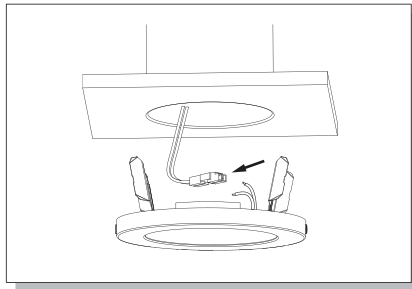
2. Install socket adapter.



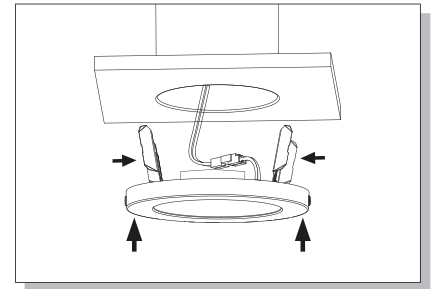
3. Install friction clips to mounting bracket with provided screws.



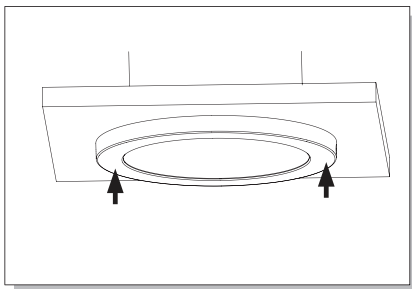
3. Install light to mounting bracket and secure with plastic push-in clips. Connect light connector to drive connector.



4. Insert light wires into adapter connector, make wiring connections per wiring diagram.

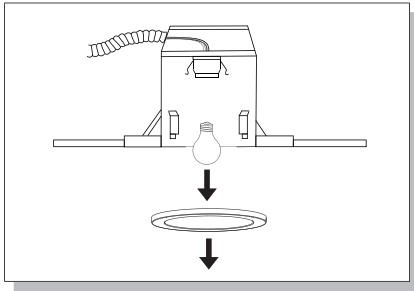


5. Press friction clips inward and insert clips into can housing.

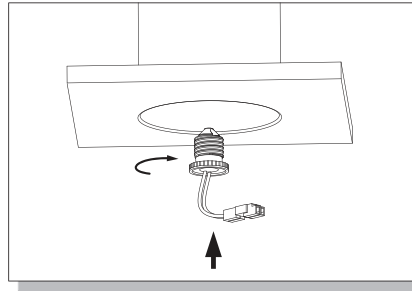


6. Press light flush with surface and install optional magnetic trim ring if compatible.

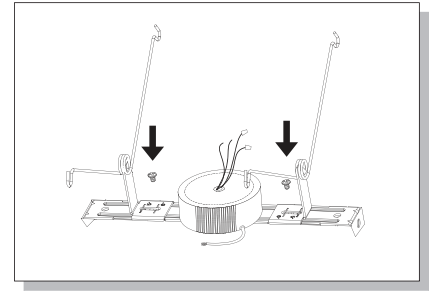
5" and 6" Recessed Can Mount



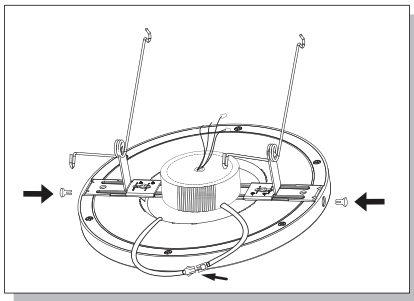
1. Remove old trim and bulb.



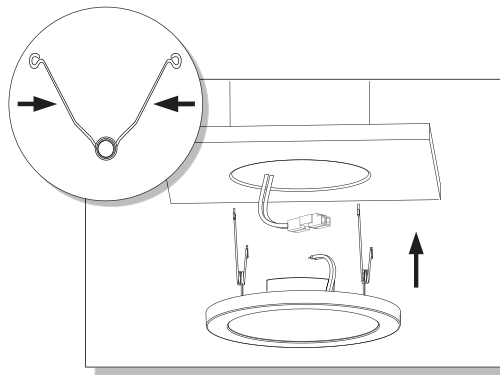
2. Install socket adapter.



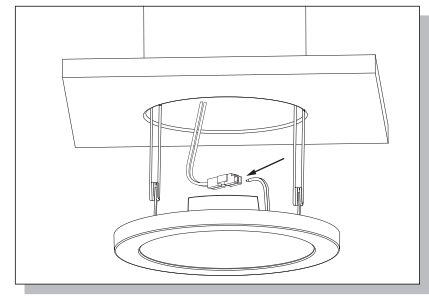
3. Install torsion clips to mounting bracket with provided screws.



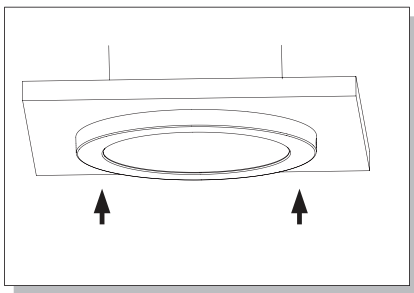
4. Install light to mounting bracket and secure with plastic push-in clips. Connect Light Connector to driver connector.



5. Squeeze torsion clips and insert into existing can housing torsion clip mounts.



6. Insert wires into adapter connector per wiring diagram.



6. Press light flush with surface and install optional magnetic trim ring if compatible.

Wiring Diagram

Caution: check voltage label for capability first!

Make electrical connections as follows:

