

IMPORTANT SAFEGUARDS READ AND FOLLOW ALL SAFETY INSTRUCTIONS.

When using electrical equipment, basic safety precautions should always be followed including the following:

- **DISCONNECT AC POWER SUPPLY BEFORE SERVICING.**
- Installation and servicing of this equipment should be performed by qualified service personnel only.
- Ensure that the electrical wiring conforms to the National Electrical Code NEC® and local regulations if applicable.
- Do not mount near gas or electrical heaters.
- Equipment should be mounted in locations and at heights where it will not be readily subjected to tampering by unauthorized personnel.
- The use of accessory equipment not recommended by the manufacturer may cause an unsafe condition.
- Any modification or use of non-original components will void the warranty and product liability.
- Do not use this equipment for other than intended use.

SAVE THESE INSTRUCTIONS!



INSTALLATION INSTRUCTIONS

BACK MOUNTING

1. Remove faceplate and set aside.
2. Drill 3/8" hole into the center of the backplate. Drill 1/4" inch hole into the oblong indent on backplate that corresponds with the junction box being used.
3. Feed leads through center hole and make the proper connections. All Electrical connections should be made inside junction box.

Make Electrical connection as followed:

120V AC	277V AC
White – Common	White – Common
Black – 120V	Orange – 277V
Green – Ground	Green –Ground

Note: Cap unused leads to prevent shorting.

4. Feed excess wire into junction box and secure backplate to junction box using screws provided with junction box.
5. Connect battery only after continuous AC power can be provided to unit. (If Applicable)
6. Snap in arrows to faceplate as required, storing unused arrows in safe place. Then snap faceplate to housing.

CEILING / END MOUNTING

1. Attach mounting plate to junction box.
2. Feed transformer leads through top hole, or side hole making sure to secure wire into wire guides found at the edges of the sign.
3. Attach sign to canopy by inserting canopy into sign then sliding to the side to lock in plate.
4. All Electrical connection should be made inside junction box.

Make Electrical connection as followed:

120V AC	277V AC
White – Common	White – Common
Black – 120V	Orange – 277V
Green – Ground	Green –Ground

Note: Cap unused leads to prevent shorting.

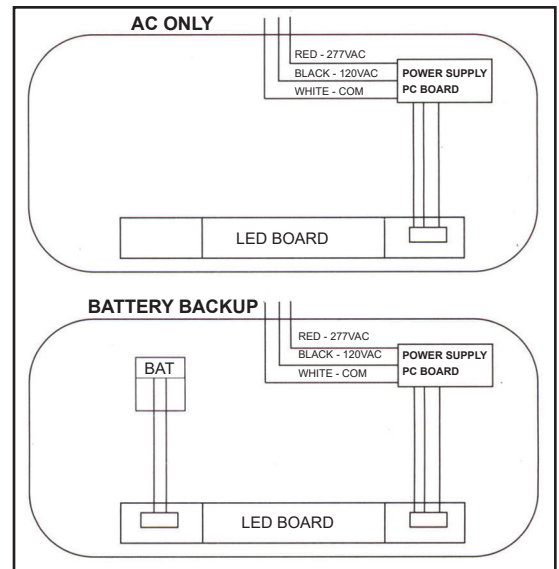
5. Push excess wire into junction box.
6. Connect battery only after continuous AC power can be provided to unit. (If applicable)
7. Secure canopy/exit sign assembly to junction box by inserting canopy into mounting plate, then sliding to the side to lock in place.
8. Snap in arrows to faceplate as required storing unused arrows in a safe place. Then snap faceplate to housing.
9. For double-faced signs, replace backplate with extra “EXIT” faceplate.

OPERATION (Battery backup)

1. Apply AC power to the unit. The LED indicator should turn ON.
2. After the battery has been left to charge for 24 hours, test the unit by pushing the TEST button. The LED indicator turns OFF and the LED sign remains illuminated.
3. When the switch is released, the sign remains illuminated and the LED indicator turns back ON.

TESTING

The Battery supplied with Battery backup model requires no maintenance. However, it should be tested periodically and replace when it no longer operates the connected fixture for the duration of a 30-second or 90-minute test. The battery supplied in this equipment has a life expectancy of 5 years when used in a normal ambient temperature of 72°F.



Extension Rod Mounting (VEPA)

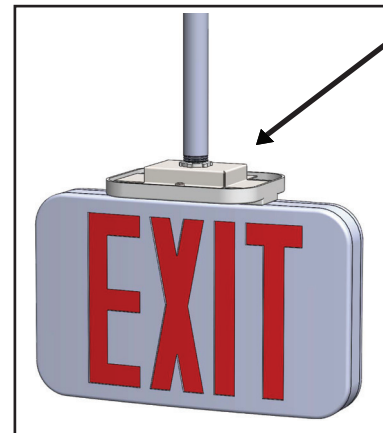
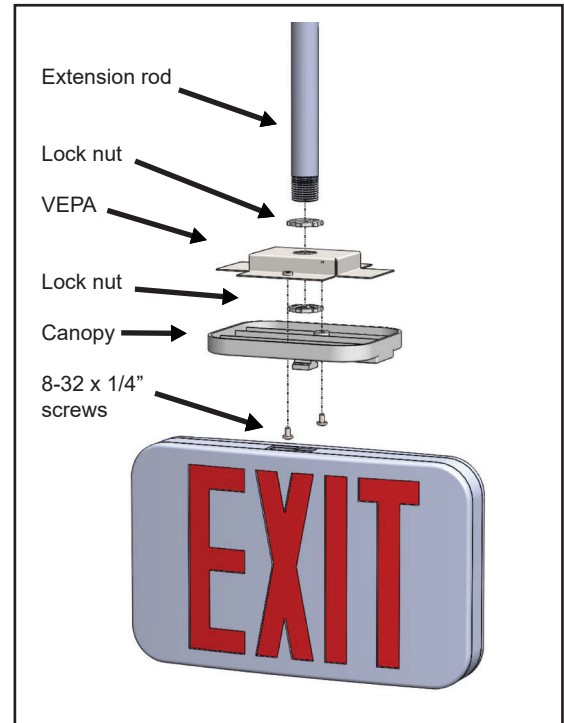
1. Fasten VEPA to extension rod using the supplied lock nuts.
2. Attach sign to canopy by inserting canopy into sign then sliding to the side to lock.
3. Make electrical connections by feeding AC wires through the top access route on EXIT sign.
4. All electrical connections should be made inside junction box.

Make Electrical Connections as follows:

120V AC	277V AC
White – Common	White – Common
Black – 120V	Orange – 277V
Green – Ground	Green –Ground

Note: Cap unused leads to prevent shorting.

5. Fasten VEPA to canopy using 8-32 X 1/4" machine screws



Note: AC connections should be made inside VEPA enclosure.