

The LCM Series LED Modules are powered by 5630 SMD LEDs encapsulated in a thermoplastic molded housing. The LCM3 utilizes three LEDs per module, offering high performance yet low operating costs for commercial signage applications. These modules can be easily manipulated, mounted on any surface and require no maintenance. The LED modules are supplied in a string of up to 50 modules that can be individually cut based on customer needs. LCMs are ideal for channel letter lighting, back and cove lighting, halo effects and accent lighting.

Features

- LED solid state lighting module
- Available in warm white, pure white and cold white
- Long life, minimal power consumption of 1.2W per module
- Indoor and outdoor rated
- Reliable in extreme temperatures
- No broken glass or toxic materials compared to neon
- Shatterproof and vibration resistant
- Printed markings allow for individual modules to be cut (50 LED modules per string)
- Easy installation using 3M adhesive tape included on the back of each module as well as pre-drilled screw holes (screws not included)
- Uniform illumination
- High luminous intensity
- 3 year/ 13,000 hours warranty

Technical Specifications

- 3 wire, single color, LED module
- Voltage: 12VDC
- IP rating: IP65
- Flame resistant UL94V-0 rated thermoplastic housing
- Dimensions: 3.46" long, 0.63" wide, 0.24" high
- Beam angle: 115°
- Can be used for 2.4" to 4.7" depth signage

Warranty

Any component that fails due to a manufacturing defect is guaranteed for three years. The warranty does not cover physical damage, abuse or instances of uncontrollable natural forces. See the full specialtyLED warranty document for detailed information. (Terms and conditions apply)

Model: _____ Date: _____
 Accessories: _____
 Job Name: _____ Type: _____



Ordering Information (Example: LCM3-WC-20)

Series	Color	# of Modules
LCM3	WW ¹ = Warm White (3000K)	XX ² = # of Continuous Modules
	WP ¹ = Pure White (6500K)	
	WC ¹ = Cold White (9000K)	
		Notes
		¹ Color temperatures can vary ±5%
		² 50 LED modules max per continuous string (35')

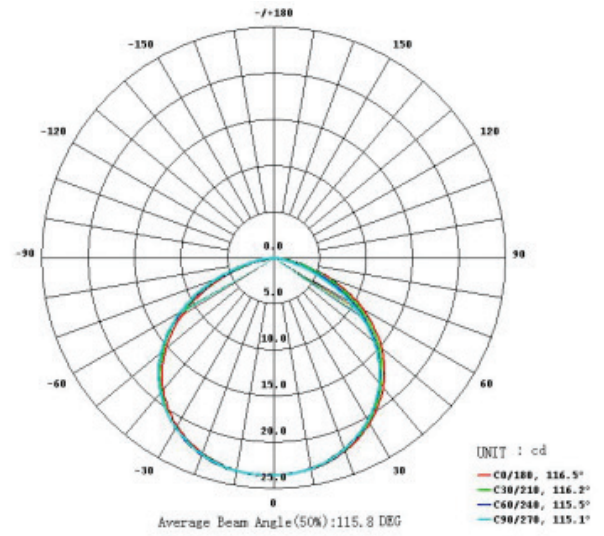
PRODUCT SPECIFICATIONS

LED Specs:

- Powered by a 5630 SMD LED chip
- 8.19" OC spacing between LED modules
- CRI 75

Construction:

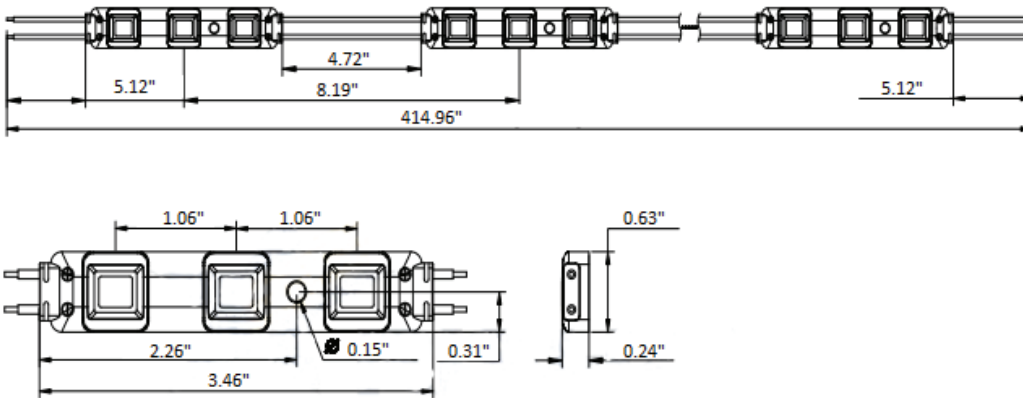
- Overmolded thermoplastic housing with aluminum PCB modules
- Available in warm white (3000K), pure white (6500K) and cold white (9000K)
- 50 LED modules per string
- One module every 8"
- Continuous string length: 35'
- Mounting: 3M double sided adhesive tape (included) or pre-drilled holes for a more secure installation (hardware not provided)
- Operating temperature: -13°F - 140°F (-25°C - 60°C)
- Storage temperature: -13°F - 158°F (-25°C - 70°C)
- 3 Year /13,000 hours warranty, does not apply to damages caused by improper installation, abuse, fire or acts of God



TECHNICAL INFORMATION

	WW (Warm White)	WP (Pure White)	WC (Cold White)
LED / Module	3	3	3
CCT or Wavelength	3000K	6500K	9000K
Wattage per Module	1.2W	1.2W	1.2W
Voltage	12V	12V	12V
Current	100mA	100mA	100mA
Lumens / Module	94	94	94
Lumen Output (lm/ft)	188	188	188

DIMENSIONS

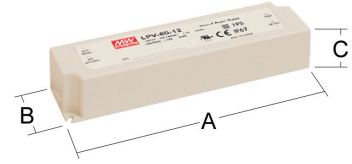


Specifications are subject to change without notice. Installation must be performed in accordance with Barron Lighting Group installation instructions.

12VDC NON-DIMMING TRANSFORMER ORDERING INFORMATION (ORDER AS SEPARATE LINE ITEM)

Example: XFMR-12-60

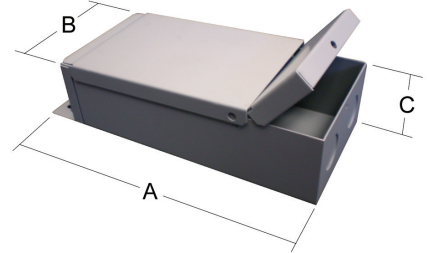
Part Number	Description	Dimensions (AxBxC)
XFMR-12-20	12 Volt, 20 Watt, Class 2 Power Supply	4.65" x 1.37" x 1.0"
XFMR-12-35	12 Volt, 35 Watt, Class 2 Power Supply	5.8" x 1.57" x 1.18"
XFMR-12-60	12 Volt, 60 Watt, Class 2 Power Supply	6.39" x 1.67" x 1.25"
XFMR-12-150	12 Volt, 150 Watt, Class 2 Power Supply	8.74" x 2.67" x 1.52"



12VDC DIMMING TRANSFORMER ORDERING INFORMATION (ORDER AS SEPARATE LINE ITEM)

Example: XFMR-DIM-12-60

Part Number	Description	Dimensions (AxBxC)
XFMR-DIM-12-20	12 Volt, 20 Watt, Class 2 Power Supply	8.5" x 3.5" x 3"
XFMR-DIM-12-40	12 Volt, 40 Watt, Class 2 Power Supply	8.5" x 3.5" x 3"
XFMR-DIM-12-60	12 Volt, 60 Watt, Class 2 Power Supply	8.5" x 3.5" x 3"
XFMR-DIM-12-96	12 Volt, 96 Watt, Class 2 Power Supply	8.5" x 3.5" x 3"
XFMR-DIM-12-120	12 Volt, 120 Watt, Class 2 Power Supply	14" x 8" x 5"
XFMR-DIM-12-180	12 Volt, 180 Watt, Class 2 Power Supply	14" x 8" x 5"
XFMR-DIM-12-240	12 Volt, 240 Watt, Class 2 Power Supply	14" x 8" x 5"



Note: All transformers are to be installed per NEC requirements. Wire leads on the 12 volt product are 18 gauge. Transformer is to be mounted within 10 feet of product. If transformer is mounted more than 10 feet from product, voltage drop and maximum operating distances should be taken into account when making transformer selection. Dimming transformer does not include dimming controller.