

LHB Series

Linear LED Highbay Lighting



DESCRIPTION

The LHB Series applications include commercial, gymnasium, industrial, large meeting spaces, manufacturing, retail, warehousing, and other applications that utilize a traditional HID or linear fluorescent highbay with mounting heights up to 50'.

Trace-Lite's LHB Series delivers high efficacy, high-output LED lighting with up to 70% energy savings over traditional HID or fluorescent technology. The multiple lumen packages and optical distributions provide the necessary flexibility to meet a wide variety of lighting applications. This product is offered in a 2' by 2' size for the 105W model, and a 2' by 4' size for the 200W and 320W models. The LHB3 version delivers over 43,845 lumens (unlensed). The LHB series highbay is suitable for ambient temperatures up to 55°C. The LHB series is also available with 347/480VAC, battery backup and occupancy control options.

SPECIFICATIONS

Construction:

- Die-formed steel housing with a white finish
- 2' x 2' configuration for the 105W, 2' x 4' configuration for 200W and 320W
- Isolated, vented driver compartment optimizes thermal dissipation

Optics/ LEDs:

- Wide Aisle distribution optical lensing standard to meet both horizontal and vertical light levels
- Available non-lensed (NL) for increased output (general distribution)
- Diffused Lens (LHBX-DL) accessory provides uniform light distribution with no pixelation and less than 15% light loss
- 105W and 200W models feature two (2) light bars, 320W models feature four (4) light bars
- Outer light bars swivel 10°-15° to widen distribution or help direct light where it is needed (200W and 320W only)
- Standard 4000K and 5000K CCT (LEDs available in 3000K, made to order)
- CRI ≥ 80
- L70 Rated at 79,000 hrs at 55°C

Electrical:

- Class 2 power supply, voltage sensing 120-277VAC, 0-10V dimming
- One (1) driver in the LHB1, two (2) drivers in the LHB2 and four (4) drivers in the LHB3
- 347VAC and 480VAC available

Testing & Compliance:

- UL/cUL Listed for Damp Locations
- IESNA LM-79 and LM-80
- TM21
- Operating temperature: -40°C to 55°C (-40°F to 131°F)

Installation:

- V hook and hanging chain included for pendant mount
- Ability to stem/conduit mount (with optional STMLHB accessory)

Options:

- Battery Backup (BB) option offers 2500lm of emergency powered illumination
- 6' line cord (LC6)
- On/off occupancy sensor wired at factory (OSS)
- Integral 0-10V digital high/low infrared sensor wired at factory, Wattstopper FSP-211 with 360° lens (SC)
- Side-mounted 0-10V digital high/low infrared sensor wired at factory, Wattstopper FS-221 with 360° lens (SCE)

AVAILABLE WHILE SUPPLIES LAST



Specs at a Glance			
Wattage (W)*	105Wt	200W	320W
Lumens (lm)	12,704 - 13,443	22,661 - 24,864	38,903 - 43,845
Efficacy (LPW)	121 to 130	114 to 123	121 to 132
Dimensions	2' x 2'	2' x 4'	2' x 4'
Distribution	Wide Aisle (A = lensed), General (NL = unlensed)		
CCT (K)	4000K, 5000K standard (3000K upon request, made to order)		
CRI	≥80		
Input Voltage	120 - 277VAC (347/480VAC available)		
Operating Temp	-40°C to 55°C (-40°F to 131°F)		
Certifications	UL/cUL Listed for Damp Locations		
Warranty	5 Years		

* Nominal Wattage. Tested at 5000K CCT. See performance table for more detailed lumen information.

Note: Environment and application will affect actual performance. Typical values and 25°C used for testing.

Options:

- 10' Cable mount with integral y-toggles (CTY10)
- Wattstopper digital high/low infrared sensor controller (TL-FSIR-100)
- On/off occupancy sensor (TL-OCCSNS-120/277)
- Side-mounted 0-10V digital high/low infrared sensor, Wattstopper FSP-221 with 360° lens (TL-SCE)
- Stem/conduit mount box (STMLHB)
- Snap-on wireguard kit (LHB1-WG, LHB2-WG, LHB3-WG)
- Snap-in opaque diffused lens kit (LHB1-DL, LHB2-DL, LHB3-DL)

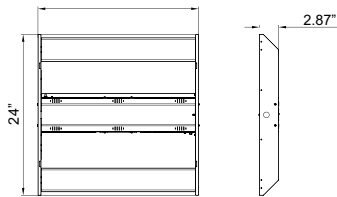
Warranty:

- Five (5) year warranty (terms and conditions apply)

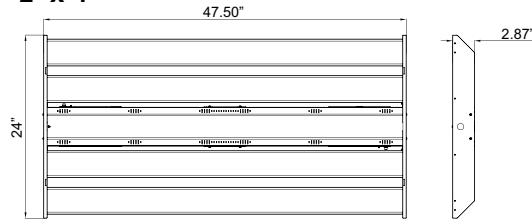
Model: _____ Date: _____
 Accessories: _____
 Job Name: _____ Type: _____

Dimensions:

2' x 2'



2' x 4'



Weight (unboxed):

105W	11.5 lbs.
200W	18 lbs.
320W	27 lbs.

Performance Data

Item	Wattage (W)	CCT	Distribution (Optics)	Lumen Output (lm)	Efficacy (lm/w)	HID Equivalency
LHB1-A-VS-5K	105W	5000K	Wide Aisle (A)	12,900lm	122lm/W	4-lamp T8 4-lamp T5HO Up to 250W HID
LHB1-NL-VS-5K	105W	5000K	General (NL)	13,443lm	130lm/W	
LHB1-A-VS-4K	105W	4000K	Wide Aisle (A)	12,704lm	121lm/W	
LHB1-NL-VS-4K	105W	4000K	General (NL)	13,028lm	123lm/W	
LHB2-A-VS-5K	200W	5000K	Wide Aisle (A)	23,061lm	115lm/W	6-lamp T5HO 8-lamp T8 400W HID
LHB2-NL-VS-5K	200W	5000K	General (NL)	24,864lm	123lm/W	
LHB2-A-VS-4K	200W	4000K	Wide Aisle (A)	22,661lm	114lm/W	
LHB2-NL-VS-4K	200W	4000K	General (NL)	24,414lm	121lm/W	
LHB3-A-VS-5K	320W	5000K	Wide Aisle (A)	40,283lm	125lm/W	10-lamp T5HO 750-1000W HID
LHB3-NL-VS-5K	320W	5000K	General (NL)	43,845lm	129lm/W	
LHB3-A-VS-4K	320W	4000K	Wide Aisle (A)	38,903lm	121lm/W	
LHB3-NL-VS-4K	320W	4000K	General (NL)	42,451lm	132lm/W	

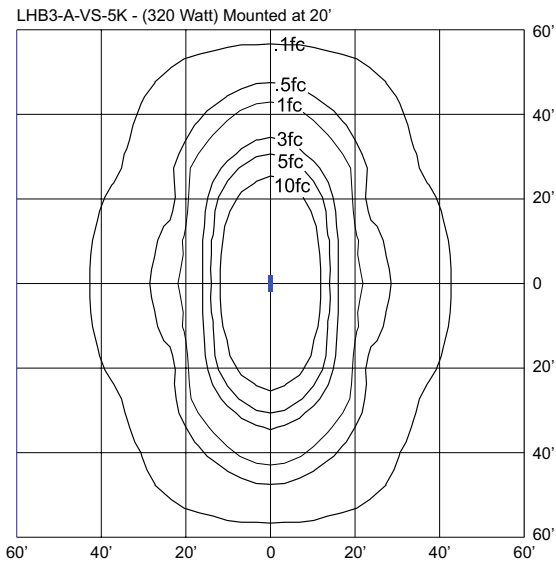
Ordering Information

Example: LHB2-A-VS-5K

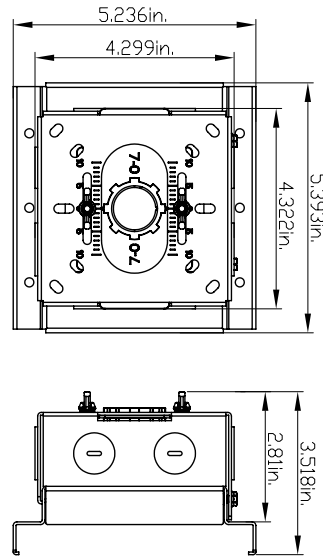
Series	Distributions	Input Voltage	CCT	Options (Factory Installed)
LHB1 = 2' x 2', 105W	A = Wide Aisle Lens	VS = 120-277VAC	3K ^{1,2} = 3000K	BB ^{1,3,6} = Battery Backup
LHB2 = 2' x 4', 200W	NL = General, No Lens	HVS ⁴ = 347-480VAC	4K = 4000K (Std.)	LC6 ¹ = 6' Line Cord
LHB3 = 2' x 4', 320W			5K = 5000K (Std.)	LC15 ¹ = 15' Line Cord
				OSS ^{1,7} = On/Off Occupancy Sensor
				SC ¹ = Integral 0-10V Digital High/Low Infrared Sensor, Wattstopper FSP-211, L7 Lens
				SCE ¹ = Side Mounted 0-10V Digital High/Low Infrared Sensor, Wattstopper FSP-221, L7 Lens

Notes	Accessories ⁵ (Field Installed)
¹ Made to order, operating temperature may vary	CTY10 = 10' Cable Mount with Integral Y-Toggles
² 3000K CCT not on DLC QPL	LHB1-DL = Snap-in Diffused Lens Kit for LHB1
³ Operates at 120V or 277V only	LHB1-WG = Snap-on Wireguard Kit for LHB1
⁴ Step-down transformer	LHB2-DL = Snap-in Diffused Lens Kit for LHB2
⁵ Order as separate line item - shipped in separate box for final installation in field	LHB2-WG = Snap-on Wireguard Kit for LHB2
⁶ Consult factory for compatibility with other options	LHB3-DL = Snap-in Diffused Lens Kit for LHB3
⁷ Not compatible with HVS	LHB3-WG = Snap-on Wireguard Kit for LHB3
	TL-FSIR-100 = Wattstopper Digital High/Low Infrared Sensor Controller
	TL-OCCSNS-120/277 ⁷ = On/Off Occupancy Sensor
	TL-SCE = Side Mounted 0-10V Digital High/Low Infrared Sensor, Wattstopper FSP-221, L7 Lens
	STMLHB = Stem/Conduit Mount

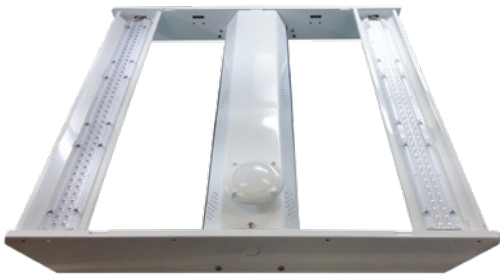
Sample Photometry



Pendant Box Details

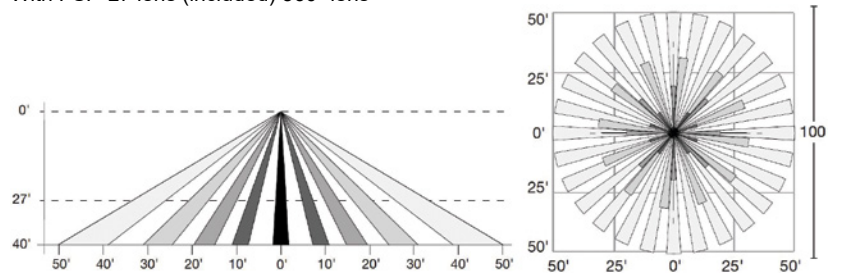


Sensor Details (Option: SC)



Side and Top Sensor Coverage Pattern:

With FSP-L7 lens (included) 360° lens



Settings for SC and SCE option:

	Settings	Default
High Mode:	0-10V	10V
Low Mode:	Off, 0-9.8V	1V
Time Delay:	30 Sec; 5-30 Min	5 Min
Cut Off Delay:	None, 1-60 Min, 1-5 Hrs	1 Hour
Sensitivity:	None, Low, Medium, Max	Max
Setpoint:	None, 1-250fc, Auto	Disabled
Ramp Up Time:	None, 1-60 Sec	Disabled
Fade Down Time:	None, 1-60 Sec	Disabled

NOTE:

To change settings in the field, please order TL-FSIR-100 controller.



Battery Box (Option: BB)



Pendant Mount Box

