

DESCRIPTION

The LPX-CP Series backlit LED panels offer superior performance in an adjustable, energy-efficient low-profile design. It is available in 1' x 4', 2' x 2' and 2' x 4' configurations and provides flexibility while minimizing inventory by simply adjusting both CCT and wattage. The CCT can easily be switched between 3500K, 4000K and 5000K. The wattage can be adjusted between 20W-30W-40W for the 1' x 4' and 2' x 2' configurations and 30W-40W-50W for the 2' x 4' configuration. This series is ideal for office spaces, schools, hospitals, and any indoor location that requires even illumination and lower maintenance. The LPX-CP Series is compatible with most standard T-bar grid ceilings, includes 0-10V dimming standard and features PMMA optical lensing that will not yellow over time. DesignLights Consortium® (DLC) Qualified for energy rebates.

SPECIFICATIONS

Construction:

- Cold rolled carbon steel enclosure in a white finish
- Aluminum frame with seamless corners
- Recessed design fits most standard T-bar grid ceilings, only 1.4" thickness
- Backlit design, LEDs sit at the back of the enclosure aimed directly at the diffuser to evenly illuminate the entire surface of the panel
- Sturdy frame prevents warping due to the slightly more elevated profile

Optics/LEDs:

- Switchable from 3500K, 4000K and 5000K CCT
- For panels with non-switchable CCT see the [LPX Series](#).
- CRI ≥80
- Efficacy up to 120 lumens per watt
- L70 > 50,000hrs
- UV-stabilized PMMA optical lenses over the LEDs that will not yellow over time
- Polystyrene lens for optimized light diffusion

Electrical:

- Universal 120-277VAC, 50/60Hz
- Power Factor > 0.90
- 0-10V Dimming driver
- Power supply with high power factor of 90% typical

Testing & Compliance:

- UL Listed for Damp Locations (IC rated)
- IP20 Rated
- DesignLights Consortium® (DLC) Qualified
- Operating temperatures: -10°C to 40°C (14°F to 40°C)

Installation:

- Unit simply lifts through grid ceiling and rests on T-bars
- Easy installation in new construction or retrofit
- Standard recessed mounting in most 1'x4', 2'x2' or 2'x4' grid ceilings
- Earthquake clips included

Warranty:

- Five Year Warranty (Terms and Conditions Apply)

Accessories:

- Bluetooth PIR motion sensor with daylight harvesting, white finish, 12VDC ([LE-MS-ECO3](#))
- Bluetooth fixture controller, 120-277VAC, 60Hz, 6A Max ([LE-C1](#))
- Bluetooth wall switches ([LE-SWX](#))
- Optional surface mount kit (LPX-14-SMK, LPX-22-SMK and LPX-24-SMK)
- Optional flange mount kit (LP14-FMK, LP22-FMK and LP24-FMK)
- Suspension mount kit (LPX-CMK)
- Field-installed battery packs available for emergency egress lighting (LBD Series)
- Field-installed 6' Metal clad whip (6 conductor, #18, for use in dimming applications)

Model: _____ Date: _____
 Accessories: _____
 Job Name: _____ Type: _____



Specs at a Glance		* Nominal Wattage (Switchable)	
Configuration	LPX-14-CP	LPX-22-CP	LPX-24-CP
CCT (K)	3500K-4000K-5000K (Switchable)		
Wattage (W)*	20W-30W-40W (Switchable)		30W-40W-50W (Switchable)
Lumens (lm)	2,210 - 4,540		3,105 - 5,500
Efficacy (LPW)	>120		
CRI	≥80		
Input Voltage	120-277VAC, 50/60Hz, 0-10V Dimmable		
Operating Temp	-10°C to 40°C (14°F to 104°F)		
Certifications	UL Listed for Damp Locations, IC Rated, DLC		
Warranty	5 Years		
Weight	2.2 lbs	2.0 lbs	4.0 lbs

Ordering Information (Example: LPX-22-CP)

Model	Description
LPX-14-CP ¹	LED Flat Panel, 1' x 4' Backlit, Power Switchable 20W/30W/40W, Color Switchable 3500K/4000K/5000K CCT, 120-277VAC
LPX-22-CP ¹	LED Flat Panel, 2' x 2' Backlit, Power Switchable 20W/30W/40W, Color Switchable 3500K/4000K/5000K CCT, 120-277VAC
LPX-24-CP ²	LED Flat Panel, 2' x 4' Backlit, Power Switchable 30W/40W/50W, Color Switchable 3500K/4000K/5000K CCT, 120-277VAC

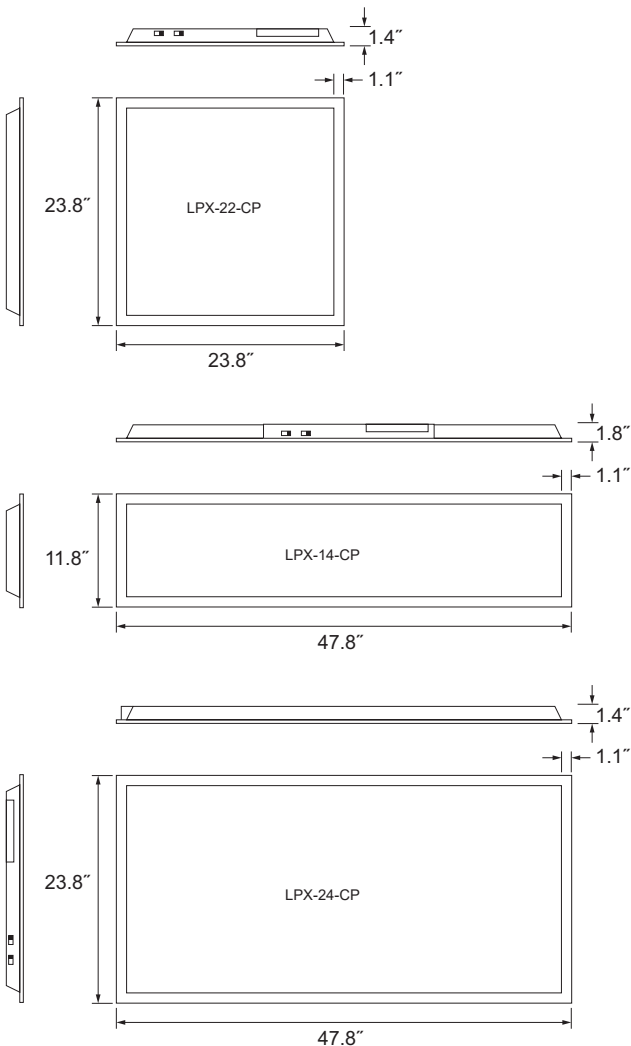
LiteLogic Accessories ³ (Field installed)	Accessories ³ (Field Installed)
LE-MS-ECO3 = Bluetooth PIR Motion Sensor with Daylight Harvesting, White Finish, 12VDC (1 Per Room)	LBD-5-NC-CW-C ^{4,5} = 5 Watt Battery Pack for Emergency Egress
LE-C1 = Bluetooth Fixture Controller, 120-277VAC, 60Hz, 6A Max (1 Per Fixture)	LBD-7-NC-CW-C ^{4,5} = 7 Watt Battery Pack for Emergency Egress
LE-SW2 = Bluetooth Enabled, 5-Button, Battery Powered Wall Switch	LBD-10-NC-CW-C ^{4,5} = 10 Watt Battery Pack for Emergency Egress
LE-SW3 = Bluetooth Enabled, 3-Button, Line Voltage Wall Switch (Neutral Required)	LBD-13-NC-CW-C ^{4,5} = 13 Watt Battery Pack for Emergency Egress
LE-SW4 = Bluetooth Enabled, 7-Button, Line Voltage Wall Switch (Neutral Required)	LBD-17-NC-CW-C ^{4,5} = 17 Watt Battery Pack for Emergency Egress
LE-WP = Wallplate for LE-SW2	LP-EMBKT ⁶ = Mounting bracket accessory for LBD emergency driver
	LPX-CMK = Y Cable Suspension Mount Kit
	LP14-FMK = 1' X 4' Flange Mount Kit
	LP22-FMK = 2' X 2' Flange Mount Kit
	LP24-FMK = 2' X 4' Flange Mount Kit
	LPX-14-SMK = 1' x 4' Surface Mount Kit
	LPX-22-SMK = 2' x 2' Surface Mount Kit
	LPX-24-SMK = 2' x 4' Surface Mount Kit
	MC6-6 = Metal Clad 6" (6 Conductor) #18 Leads Whip (For Dimming Applications)

Notes

- ¹ Panels are packaged in quantity of four (4pcs/carton)
- ² Panels are packaged in quantity of two (2pcs/carton, 4pcs/master carton)
- ³ Order as a separate line item. Shipped in a separate box for final installation in the field
- ⁴ See back page for battery pack lumen output. Not compatible with LPxx-SMK kit
- ⁵ Consult [LBD spec sheet](#) for more details on battery pack, must be remote mounted
- ⁶ Not compatible with LPX-xx-SMK or LPXX-FMK kits. Only compatible with 2x2 and 2x4 units

For non-switchable panels, see the [LPX Series](#)

Dimensions



Sample Photometry

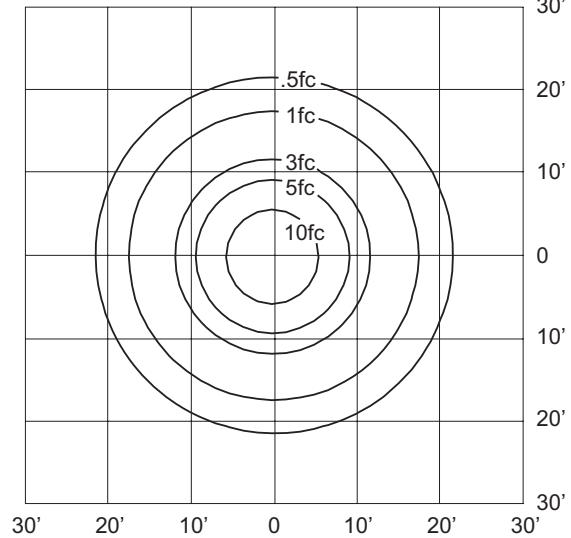
LPX-24-CP: 40W, 5000K CCT

IES: TYPE VS Very Short

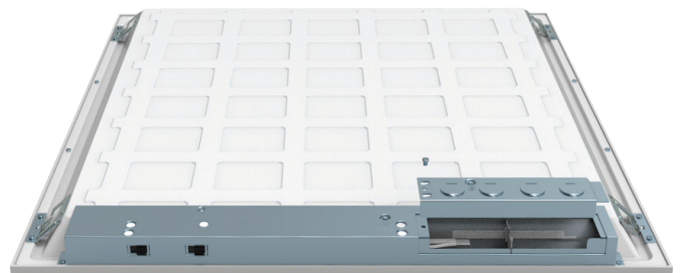
MOUNTING HEIGHT: 10'

TILT: ZERO

HORIZONTAL SPACING CRITERIA: 1.30



Driver Box Detail

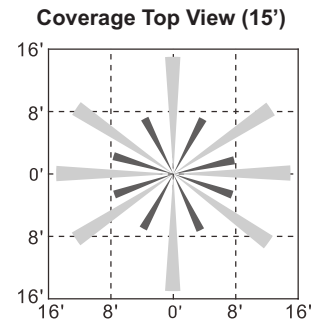
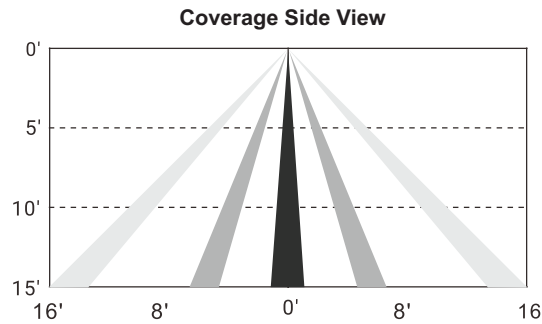


Specifications are subject to change without notice. Installation must be performed in accordance with Barron Lighting Group installation instructions.

Lumen Output Summary for LBD Battery Pack Accessories (Consult LBD spec sheet for more details. [Click Here](#))

Model	LPA Panel Battery Packs:		LBD-5-NC-CW-C	LBD-7-NC-CW-C	LBD-10-NC-CW-C	LBD-13-NC-CW-C	LBD-17-NC-CW-C
	Lumens	Wattage					
LPX-14-CP (20W, 35K)	2,210	20	478	852	957	1,244	1,626
LPX-14-CP (20W, 4K)	2,400	20	522	852	1,044	1,357	1,774
LPX-14-CP (20W, 5K)	2,350	20	508	852	1,017	1,323	1,730
LPX-14-CP (30W, 35K)	3,310	30	478	852	957	1,244	1,626
LPX-14-CP (30W, 4K)	3,500	30	504	852	1,009	1,311	1,715
LPX-14-CP (30W, 5K)	3,400	30	491	852	983	1,278	1,671
LPX-14-CP (40W, 35K)	4,498	40	500	852	1,000	1,300	1,700
LPX-14-CP (40W, 4K)	4,700	40	508	852	1,017	1,323	1,730
LPX-14-CP (40W, 5K)	4,640	40	504	852	1,009	1,311	1,715
LPX-22-CP (20W, 35K)	2,210	20	478	852	957	1,244	1,626
LPX-22-CP (20W, 4K)	2,400	20	522	730	1,044	1,357	1,774
LPX-22-CP (20W, 5K)	2,350	20	508	712	1,017	1,323	1,730
LPX-22-CP (30W, 35K)	3,310	30	478	669	957	1,244	1,626
LPX-22-CP (30W, 4K)	3,500	30	504	706	1,009	1,311	1,715
LPX-22-CP (30W, 5K)	3,400	30	491	688	983	1,278	1,671
LPX-22-CP (40W, 35K)	4,390	40	478	669	957	1,244	1,626
LPX-22-CP (40W, 4K)	4,700	40	508	712	1,017	1,323	1,730
LPX-22-CP (40W, 5K)	4,540	40	491	688	983	1,278	1,671
LPX-24-CP (30W, 35K)	3,325	30	482	675	965	1,255	1,641
LPX-24-CP (30W, 4K)	3,600	30	522	730	1,044	1,357	1,774
LPX-24-CP (30W, 5K)	3,500	30	504	706	1,009	1,311	1,715
LPX-24-CP (40W, 35K)	4,400	40	478	669	957	1,244	1,626
LPX-24-CP (40W, 4K)	4,800	40	522	730	1,044	1,357	1,774
LPX-24-CP (40W, 5K)	4,500	40	487	682	974	1,266	1,656
LPX-24-CP (50W, 35K)	5,500	50	478	669	957	1,244	1,626
LPX-24-CP (50W, 4K)	5,800	50	504	706	1,009	1,311	1,715
LPX-24-CP (50W, 5K)	5,600	50	487	682	974	1,266	1,656

Sensor Details - Bluetooth Enabled (Accessories LE-MS-ECO3 & LE-C1) [Click here for sensor details](#)



SEE APP FOR
SENSOR SETTINGS

For a complete list of LiteLogic compatible products, [click here](#).



Get it from the
App Store



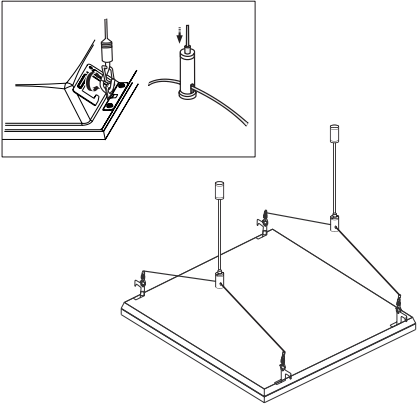
Get it from
Google Play



Note: Bluetooth sensor controls do not allow for CCT selection using the app. CCT must be manually selected on the fixture.

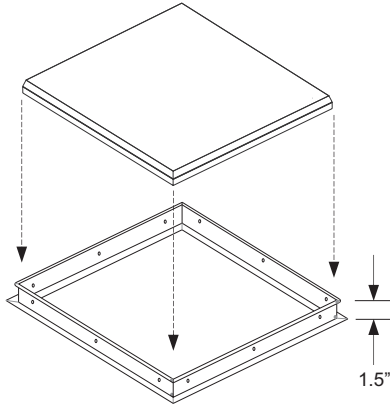
Cable Mount Kit (LPX-CMK)

Optional Y cable mounting kit (LPX-CMK) allows for suspended installations from any ceiling type. (2 pcs/kit, 3.2' length)



Flange Mount Kit (LPXX-FMK)

Optional flange kit (LP14-FMK, LP22-FMK, LP24-FMK) mounts above drywall ceiling, allows panel to be mounted flush to ceiling.



Surface Mount Kit (LPX-XX-SMK)

Optional surface mount kit (LPX-14-SMK, LPX-22-SMK, LPX-24-SMK) allows for installation on plaster or other hard ceilings.

