



IMPORTANT SAFEGUARDS READ AND FOLLOW ALL SAFETY INSTRUCTIONS.

When using electrical equipment, basic safety precautions should always be followed including the following:

- **DISCONNECT AC POWER SUPPLY BEFORE SERVICING.**
- Installation and servicing of this equipment should be performed by qualified service personnel only.
- Ensure that the electrical wiring conforms to the National Electrical Code NEC® and local regulations, if applicable.
- Do not mount near gas or electrical heaters.
- Equipment should be mounted in locations and at heights where it will not be readily subjected to tampering by unauthorized personnel.
- The use of accessory equipment not recommended by the manufacturer may cause an unsafe condition.
- Any modification or use of non-original components will void the warranty and product liability.
- Do not use this equipment for other than intended use.
- Allow battery to charge for 24 hours before first use.

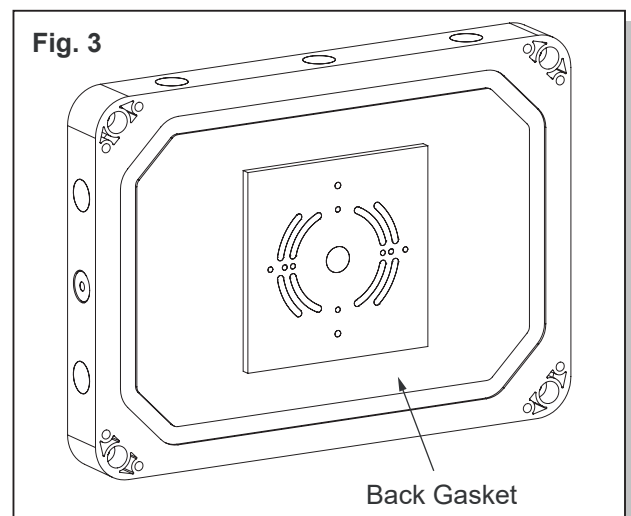
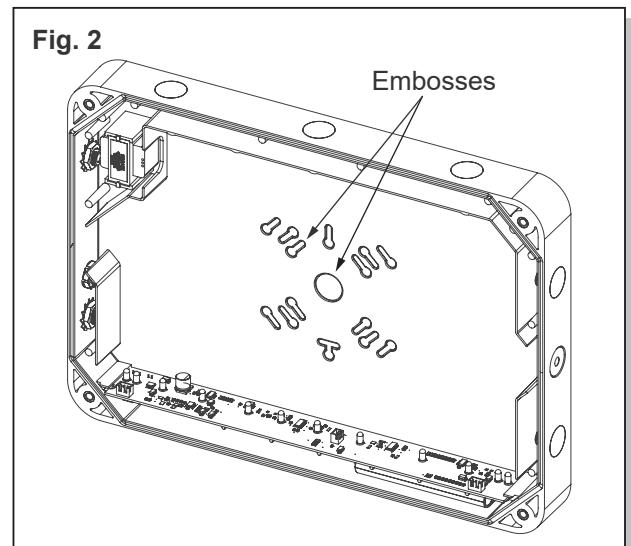
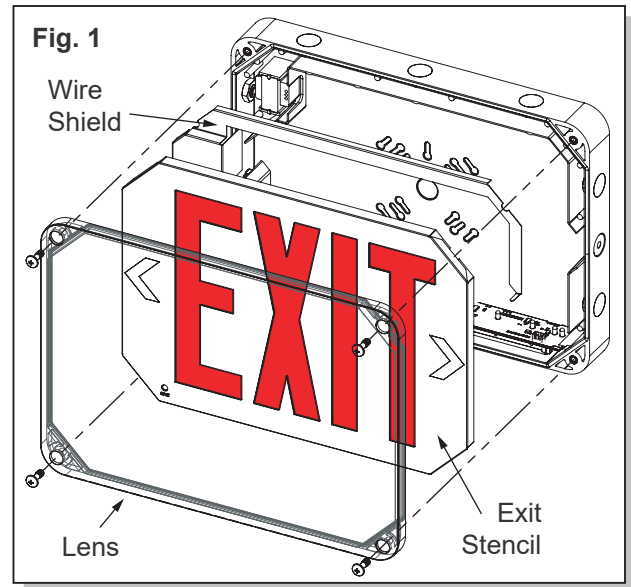
SAVE THESE INSTRUCTIONS!

Technical Support ■ (623) 580-8943 ■ technicalsupport@barrontlg.com

Wall Mount Using J-Box

1. Remove the lens by loosening the four screws and set aside. (Fig. 1)
Note: The screws are designed to remain captive in the lens.
2. Remove the EXIT stencil and wire shield from the enclosure and set aside.
3. Drill out from the enclosure the center emboss and any additional embosses required for mounting to the J-box. Deburr as needed; the back side of the enclosure should be nearly smooth, so the back gasket makes a proper seal. (Fig. 2)
4. Punch out the center knockout and any other knockouts from the back gasket that align with the holes made in the back of the enclosure.
5. Remove the protective backing from the back gasket to expose the adhesive. Adhere the back gasket to the back of the enclosure, as shown, making sure to align the open center hole and slots of the back gasket with the holes drilled into the enclosure. (Fig. 3)
6. Route wires out through the center hole of the enclosure.
7. Make electrical connections; see **Electrical Connections** section.
8. Secure the unit to the J-box using appropriate hardware (provided by others).
9. Connect the battery, if included, to the PCB.
10. Remove the chevron(s) from the EXIT stencil, if desired. Be careful to not scratch or damage the diffuser.
11. Replace the wire shield and the EXIT stencil, making sure the tabs stay within the walls of the enclosure.
12. Secure the lens to the enclosure, making sure to alternate screws when tightening to evenly distribute pressure.

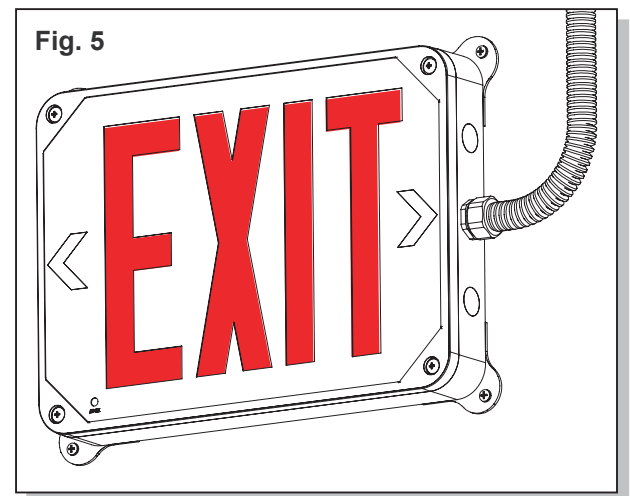
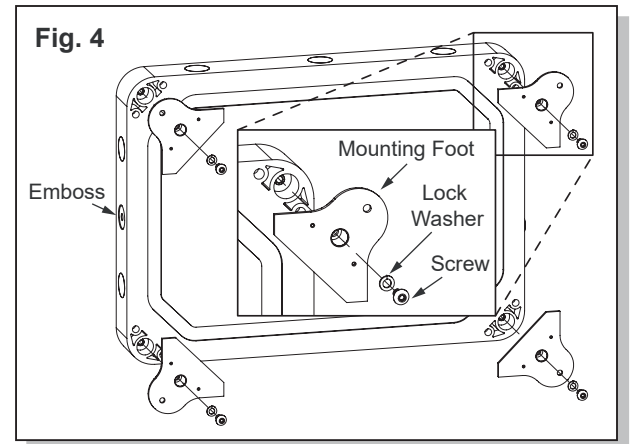
IMPORTANT: Weatherproof your installation. Be sure to seal all holes in the enclosure, such as the mounting, conduit, and plugs with silicone sealant. Apply silicone sealant around the perimeter of the enclosure between the enclosure and the wall.



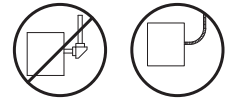
Wall Mount Using Conduit

1. Guide each of the (4) mounting feet into the holes in the back of the enclosure and secure using the included lock washers and screws. (Fig. 4)
2. Using the holes in the mounting feet as a template, align the fixture to the mounting location and mark the (4) drill locations on the wall.
3. Install appropriate wall anchors (provided by others) in the (4) marked locations.
4. Secure the enclosure to the wall using appropriate hardware (provided by others).
5. Follow steps 1 and 2 from the **Wall Mount Using J-Box** section.
6. Secure conduit to the enclosure by drilling through an emboss located on either side of the fixture. (Fig. 5)
IMPORTANT: Use only watertight fittings.
Use flexible conduit only.
7. Make electrical connections; see **Electrical Connections** section.
8. Follow steps 9-12 from the **Wall Mount Using J-Box** section.

IMPORTANT: Weatherproof your installation. Be sure to seal all holes in the enclosure, such as the mounting, conduit, and plugs with silicone sealant.



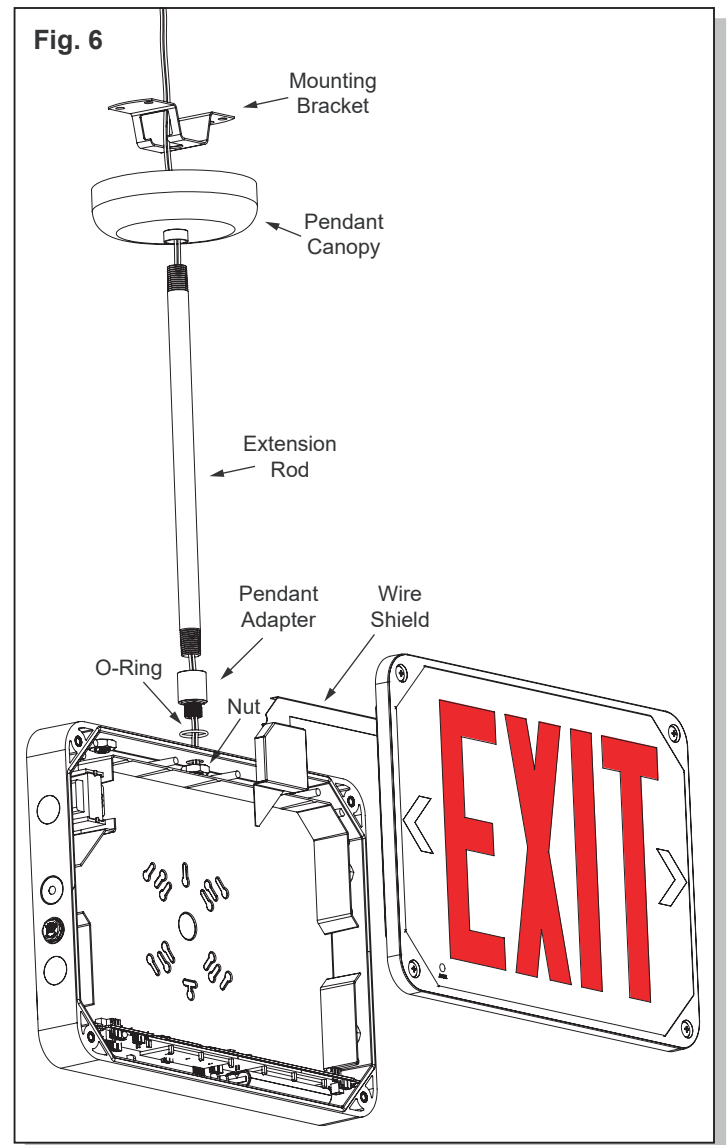
Use Flexible Conduit Only



Pendant Mount

1. Follow steps 1 and 2 from the **Wall Mount Using J-Box** section.
2. Remove the center hole plug from the top of the fixture. Set the hardware aside; the plug may be discarded.
3. Fasten the pendant adapter to the extension rod using an appropriate waterproofing method, such as teflon tape (provided by others). (Fig. 6)
4. Feed the AC line wires through the nut, the center hole in the top of the enclosure, then the pendant adapter and extension rod.
5. Secure the pendant adapter to the enclosure using the hardware from step 2.
6. Make electrical connections; see **Electrical Connections** section.
7. Follow steps 9-12 from the **Wall Mount Using J-Box** section.

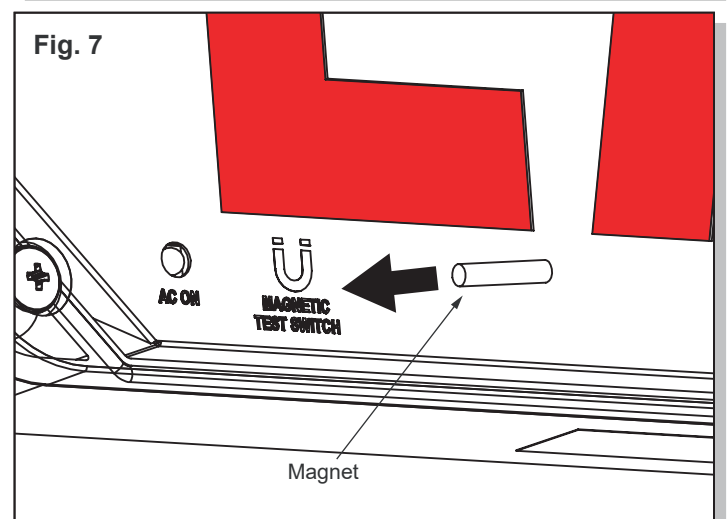
IMPORTANT: Weatherproof your installation. Be sure to seal all holes in the enclosure, such as the mounting, conduit, and plugs with silicone sealant.



Manual Test

The fixture is equipped with a magnetic switch. Hold the included magnet up to the fixture lens over the "MAGNETIC TEST SWITCH" label, as shown, to switch the fixture into battery mode. The LED indicator will turn off and the EXIT sign will run on battery power. Move the magnet away to return the fixture to AC mode. (Fig. 7)

Note: Only applies to fixtures with battery.



NYN4X Series

Installation Instructions

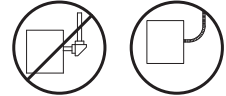
Electrical Connections

All electrical connections should be made inside the J-box. Make electrical connections as follows:

Note: Cap unused leads to prevent shorting.

Be sure all wiring is routed around cavity of enclosure to avoid shadowing on faceplate.

Use Flexible Conduit Only



120VAC

White - Common
Black - 120VAC

277VAC

White - Common
Orange - 277VAC

