



## IMPORTANT SAFEGUARDS READ AND FOLLOW ALL SAFETY INSTRUCTIONS.

Basic safety precautions should always be followed including the following:

- Installation and servicing of this equipment should be performed by qualified service personnel only.
- Do not mount near gas or electrical heaters.
- Do not use outdoors.
- Equipment should be mounted in locations and at heights where it will not be readily subjected to tampering by unauthorized personnel.
- The use of accessory equipment not recommended by the manufacturer may cause an unsafe condition.
- Any modification or use of non-original components will void the warranty and product liability.
- Do not use this equipment for other than intended use.

## SAVE THESE INSTRUCTIONS!

Technical Support ■ (623) 580-8943 ■ [technicalsupport@barrontlg.com](mailto:technicalsupport@barrontlg.com)

### Fixture Preparation

1. Remove the frame and window by pressing the frame release button and set both aside. (Fig. 1)

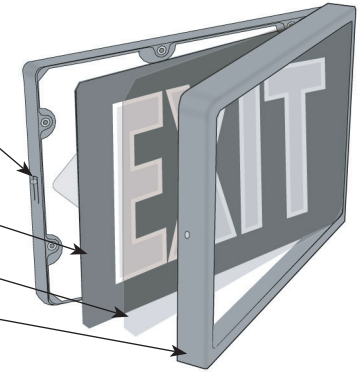
Fig. 1

Frame Release Button

Legend

Window

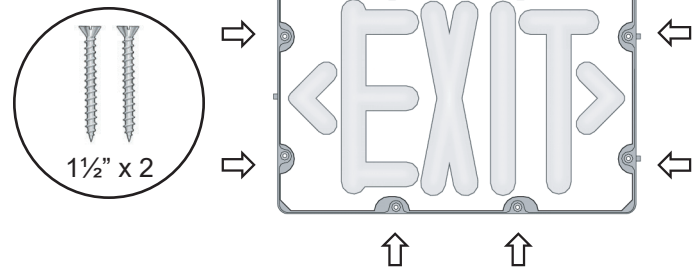
Frame



### Wall Mount (Single Face Only)

1. Secure the fixture to the mounting surface using the (2) 1-1/2" screws in the best two holes for the application. There are eight holes available for mounting the fixture. (Fig. 2)
2. Replace the legend, followed by the window.
3. Snap the frame back into place on the fixture.

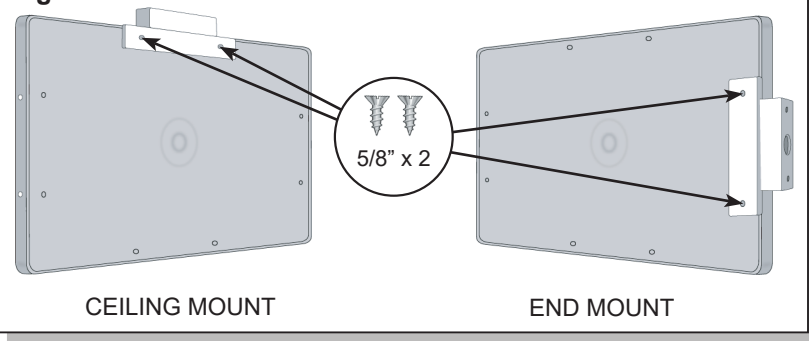
Fig. 2



### Ceiling or End Mount

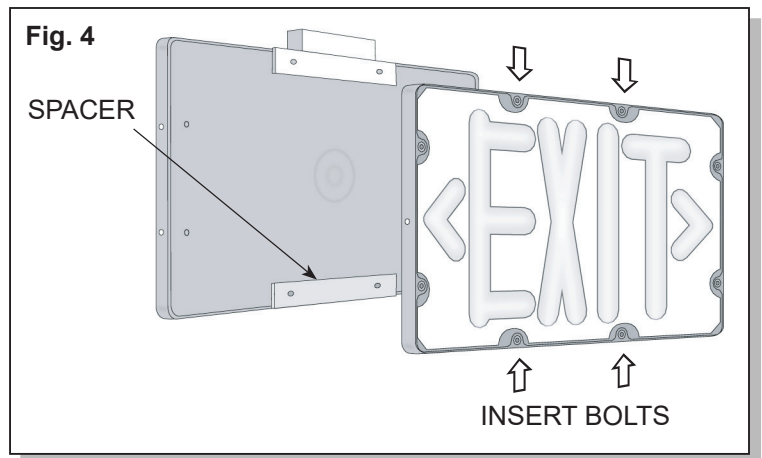
1. Secure the mounting bracket to the mounting surface using the (2) 1-1/2" screws provided.
2. For double-face signs, go to **Double-Face Fixture Mounting** section.
3. Secure the fixture to the mounting bracket in the top two holes or either of the side two holes for ceiling or end mounting, respectively, using the (2) 5/8" screws provided. (Fig. 3)
4. Replace the legend, followed by the window.
5. Snap the frame back into place on the fixture.

Fig. 3



### Double-Face Fixture Mounting

1. Complete step 1 of the **Ceiling or End Mount** section if not done already.
2. Align the top or side holes of the (2) EXIT fixtures with the mounting bracket, and align the spacer with the opposite two holes, as shown. (Fig. 4)
3. Secure the fixtures using the (4) sets of screws and nuts provided.
4. Replace the legend, followed by the window.
5. Snap the frame back into place on the fixture.



### Canopy Mount

1. Secure the standard pendant mount to the ceiling.
2. Secure the mounting bracket to the pendant using the provided nut, as shown. (Fig. 5)
3. Follow steps 3-5 of the **Ceiling or End Mount** section.

