

The S900C-G3 Series combines the architectural design of an edge-lit exit sign with fully adjustable recessed emergency LED lamp heads for a modern, low-profile aesthetic. The S900C-G3 Series is designed for easy recessed or surface mount installation in ceilings or walls. Single- and double-face LED exit configurations are included with brushed aluminum, black or white housing finish options. The S900C-G3 Series is ideal for offices, classrooms, corridors, lobbies, and other indoor commercial spaces requiring a minimalist aesthetic for emergency lighting combined with an architectural exit sign.

The **GUARDIAN G3** remote monitoring and reporting system from Exitronix simplifies code compliance and significantly reduces operating and maintenance costs by offering automated testing, remote monitoring and reporting of emergency fixture status from a centralized location. For standard fixtures without remote monitoring and reporting, [click here](#).

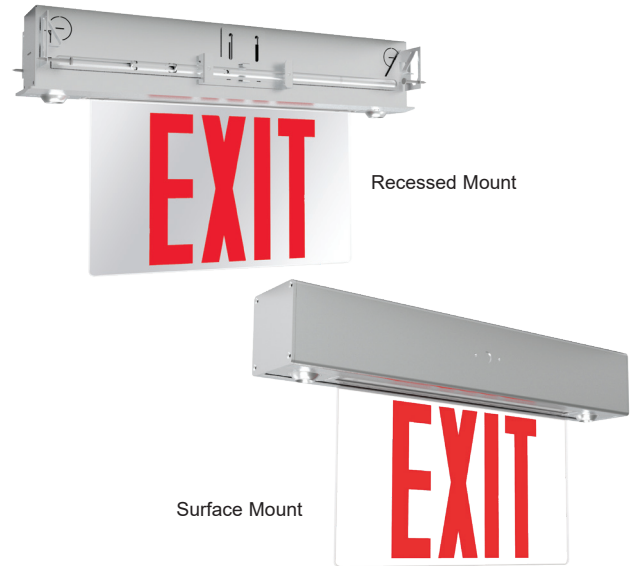
FEATURES & BENEFITS

- Includes GUARDIAN G3 self-test/self-diagnostics with remote monitoring and reporting
- Designed for simple installation and maintenance in any surface or recessed application, surface mount canopy or recessed mount hardware included
- Universal - includes single-face (clear) and double-face (mirrored) panel configurations
- Optional remote capability up to 3W, compatible with [JLED](#), [RL1-WP](#) or [RL52](#) remote lamps remote lamps
- California Energy Commission (CEC) compliant

SPECIFICATIONS

- Illumination:** Long-life, high-intensity, red or green LEDs with 2.5W LED lamp heads
- Housing:** Steel or aluminum housing with high-grade acrylic panels
- Input:** 120/277VAC Dual primary, 60Hz
- Battery:** Maintenance-free NiMH battery
- Operating Temp:** Surface Mount: 10°C to 40°C (50°F to 104°F)
 Recessed Mount: 5°C to 40°C (41°F to 104°F)
- Run Time:** UL Listed 90 minute emergency run time, 24 hour recharge time
- Electrical:** Low voltage disconnect, overload disconnect, solid state transfer
- Mounting:** Surface ceiling, surface wall, recessed ceiling and recessed wall mounting. Includes surface mount canopy or recessed mount hardware
- Legend:** Fully illuminated 6" characters with 3/4" stroke and field-selectable directional chevrons
- Finishes:** Brushed Aluminum, Black or White
- Options:** R - 3W Remote Capable, compatible with [JLED](#), [RL1-WP](#) or [RL52](#) remote lamps
- Certifications:** UL 924 Listed for Damp Locations, Meets or exceeds NFPA 101 Life Safety Code, NEC, OSHA, and California Energy Commission (CEC) requirements
- Warranty:** Any component that fails due to a manufacturing defect is guaranteed for three years with a separate five year prorated warranty on the battery. The warranty does not cover physical damage, abuse or instances of uncontrollable natural forces. See the full Exitronix warranty document for detailed information. (Terms and conditions apply)

Model: _____ Date: _____
 Accessories: _____
 Job Name: _____ Type: _____



ON-CENTER SPACING

(Using multiple units mounted at a typical 7.5 foot height, 85/50/20 reflectance)

Model	# of LED Lamps	3' Path, 6' Corridor	6' Path, 6' Corridor
S900C-G3	2	31'	30'

ORDERING INFORMATION Example: S900C-SM-R-WH-G3-R For standard fixtures without remote monitoring and reporting, [click here](#).

Series	Mounting	Panel Color	Finish	Self-test/Self-diagnostics
S900C ¹	R = Recessed	G = Green Legend	AG = Brushed Alum.	G3 ² = Self-test/Self-diagnostics, Remote Monitoring and Reporting
	SM = Surface	R = Red Legend	BL = Black	G3PRO ^{2,3} - Self-test/Self-diagnostics, Remote Monitoring and Reporting w/Automated Email Notifications
			WH = White	
Options (Factory Installed)				
R ⁴ = 3W Remote Capable				
Accessories⁵ (Field installed, order as separate line item)				
GTWY-PRIMARY - Primary Remote Reporting Gateway				
GTWY-SECONDARY - Secondary Remote Gateway, Extends Range				
ROUTER - Wireless Internet Router				
TAB10 - 10" Tablet, Includes Guardian G3 Software				
TAB12 - 12" Tablet, Includes Guardian G3 Software				
Notes				
¹ Supplied with single-face (clear) & double-face (mirrored) panel configurations	WALLBRKXX - Tablet Wall Bracket (XX = Specify 10" or 12" Tablet)			
² Requires additional equipment, consult factory for details	WALLBRK-LOCKXX - Locking Wall Bracket (XX = Specify 10" or 12" Tablet)			
³ Requires internet connection, supplied by facility	STANDBRKXX - Tablet Stand (XX = Specify 10" or 12" Tablet)			
⁴ Compatible with JLED , RL1-WP or RL52 remote lamps	STANDBRK-LOCKXX - Locking Tablet Stand (XX = Specify 10" or 12" Tablet)			
⁵ Order as separate line item	S900-PENDANT-ADAPTER = Pendant Adapter			

ELECTRICAL RATINGS

Model	NiMh Battery	Brownout	Low Voltage Disconnect	Overload Disconnect	Short Circuit Disconnect	Solid State Transfer	Input		Output	
							VAC	Hz	Lamps /Lumens	Remote Capability
S900C-R(SM)-R(G)-XX-G3	3.6V 2500mAh	N/A	Yes	N/A	Yes	Yes	120/277	60	2 x 2.5W, 400Lm	N/A
S900C-R(SM)-R(G)-XX-G3-R	2 x 3.6V 2500mAh	N/A	Yes	N/A	Yes	Yes	120/277	60	2 x 2.5W, 400Lm	3.6V 3W

CONSTRUCTION

Housing

Available in either a Brushed Aluminum, Black or White finish.

Surface - Engineering grade aluminum extrusion with mounting canopy.

Recessed - Steel housing supplied with galvanized steel adjustable hanger bar assembly.

Panels

Constructed of clear high-grade acrylic. Stencil letters are 6" high with 3/4" stroke. Double-face panels are supplied with a mirror insert. Units are supplied with field-selectable directional chevrons for optimal flexibility in all applications.

ILLUMINATION

High-output red or green LEDs provide superior brightness with energy consumption of less than 5W. Path of egress illumination is provided by two (2) 2.5W, fully adjustable white LED lamps. LEDs are a maintenance-free lighting solution.

ELECTRICAL

Input

Dual-voltage input 120 or 277VAC at 60Hz.

Nickel Metal Hydride Battery - NiMH

Exitronix NiMH batteries are maintenance-free.

Emergency

The S900C-G3 Series exit will operate for a minimum of 90 minutes during a loss of power with a 24 hour maximum recharge time for the battery.

Test Button

Test button is easy to locate and allows for manual verification of the transfer circuit and emergency lamps.

Damp Location Rated

Damp Location Rated fixture that is normally or periodically subject to condensation of moisture in, on, or adjacent to, and includes partially protected locations.

INSTALLATION

Surface Mounting: Supplied canopy provided for surface mounting. All hardware is included.

Recessed Mounting: Recessed ceiling mount, accessible above the plenum. Electronics and battery are contained in the housing. Plug-in battery connector supplied for easy installation. All hardware is included.

GUARDIAN G3 Self-test/Self-diagnostics, Remote Monitoring and Reporting

The circuit continuously monitors the operating condition of the AC power, battery supply voltage and charging circuit.

The purpose of this option is to provide visual signaling in response to a fault at the EXIT sign battery and/or battery charger. If a failure is detected, visual status will occur immediately via the dual color LED. Refer to instruction manual for detailed information.

The circuit also monitors the transfer circuit as well as performing automatic code compliance testing.

The GUARDIAN G3 remote monitoring and reporting system provides wireless communication between emergency fixtures, enabling maintenance personnel to maintain and test emergency lighting equipment from a central location. System requires additional equipment and setup, consult factory for more information.

GUARDIAN G3PRO Self-test/Self-diagnostics, Remote Monitoring and Reporting with Automated Email Notifications

The G3-PRO model has the features of the standard G3 but adds automated email notifications of fixture status reports (requires internet connection, supplied by facility).

OPTIONS

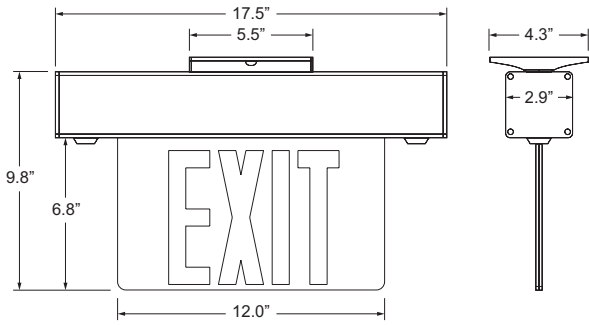
Remote Capable (Option: R)

The S900C-G3 is remote capable and provides up to 3W of remote power for 90 minutes, compatible with [JLED](#), [RL1-WP](#) or [RL52](#) remote lamps.

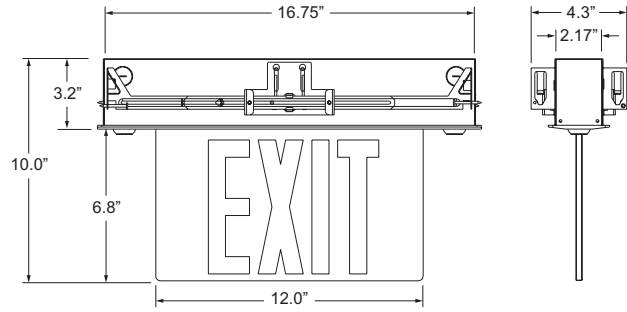
CONFORMANCE TO CODES & STANDARDS

The S900C-G3 Series is UL 924 Listed for Damp Locations and meets or exceeds the following: NEC requirements, CEC and NFPA 101.

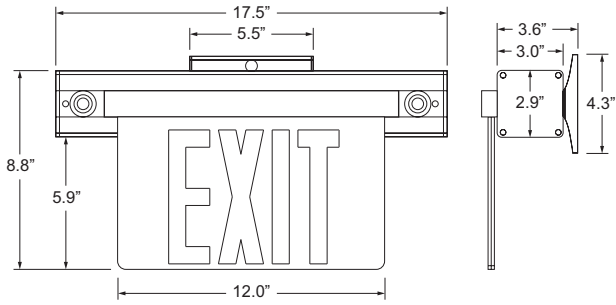
SURFACE CEILING



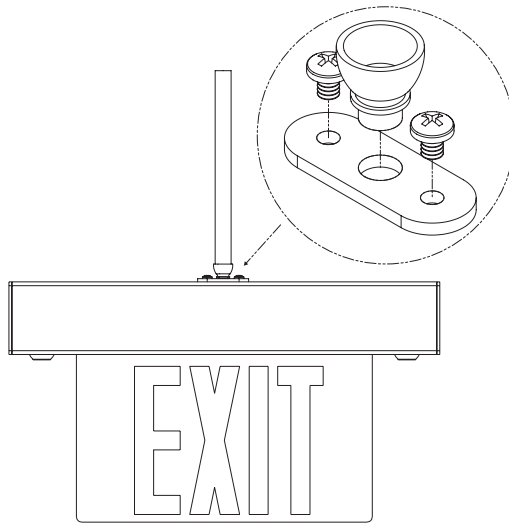
RECESSED CEILING



SURFACE WALL 1



PENDANT ADAPTER



SURFACE WALL 2

