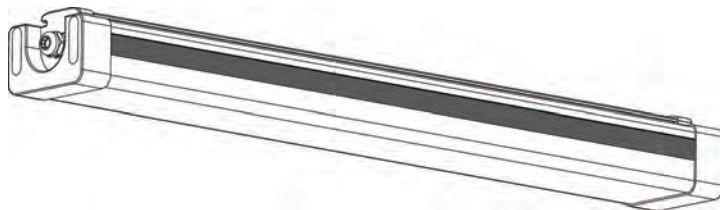
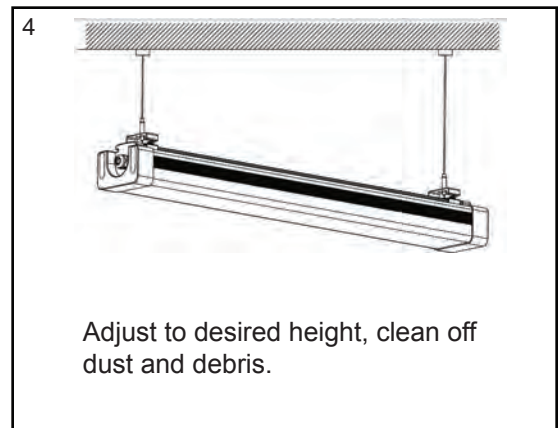
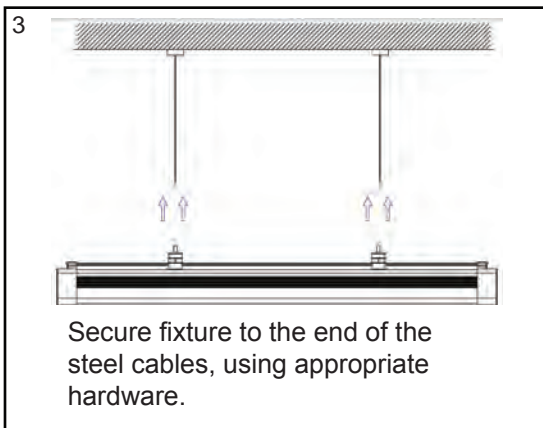
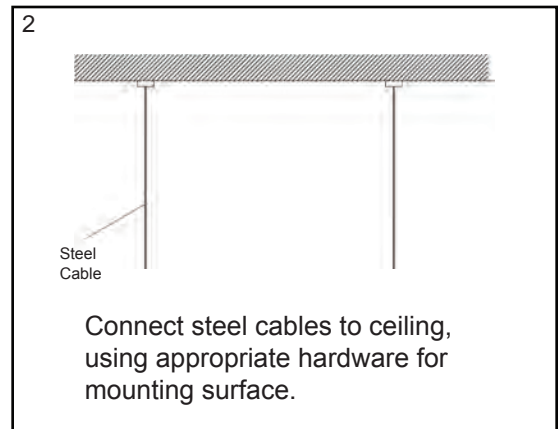
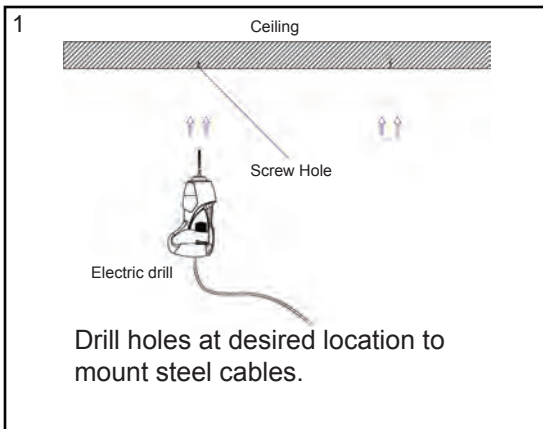


SAVE THESE INSTRUCTIONS!
READ CAREFULLY AND FOLLOW ALL INSTRUCTIONS FOR YOUR OWN SAFETY

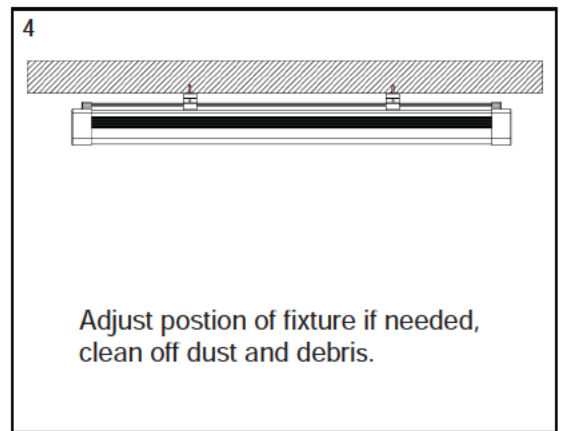
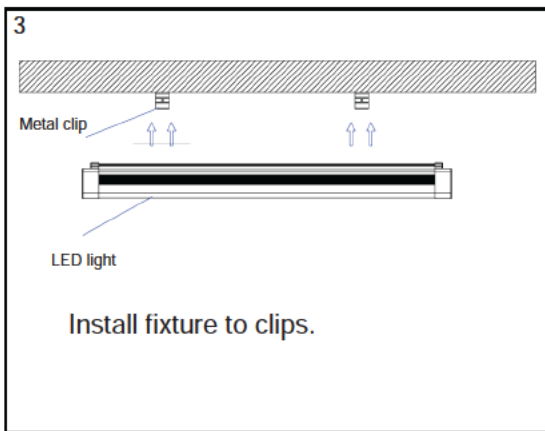
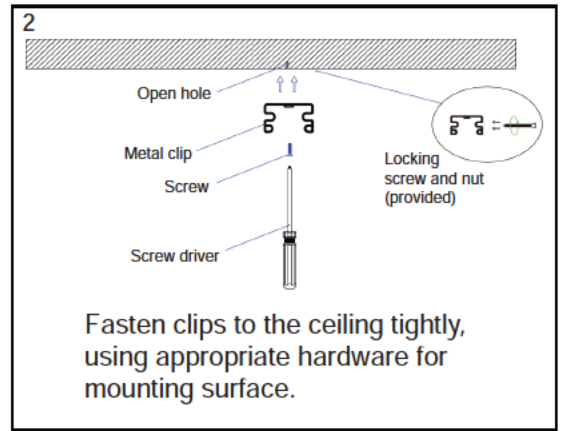
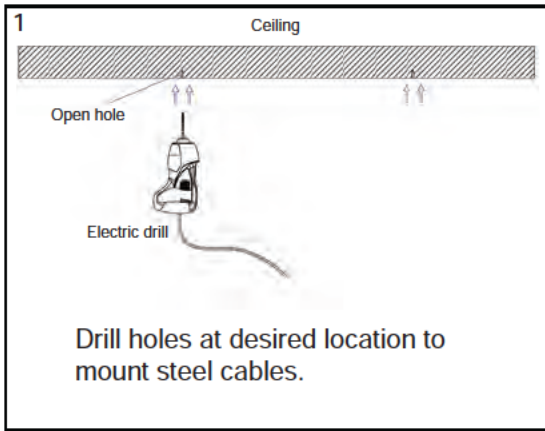
- **DISCONNECT AC POWER SUPPLY BEFORE SERVICING.**
- Installation and servicing of this equipment should be performed by qualified service personnel only.
- Ensure the electricity connections conform to the National Electrical Code and local regulations if applicable.
- Do not mount near gas or electrical heaters.
- Equipment should be mounted in locations and at heights where it will not readily be subjected to tampering by unauthorized personnel.
- The use of accessory equipment not recommended by the manufacturer may cause an unsafe condition. Any modification or use of non-original components will void the warranty and product liability.
- Do not use this equipment for other than intended use.



INSTALLATION INSTRUCTIONS
CABLE MOUNTED



CEILING MOUNTED



ELECTRICAL CONNECTIONS

Electrical connections should be made inside junction box. Cap all unused leads to prevent shorting.

- a. Connect the (brown) line fixture lead to the black supply lead.
- b. Connect the (blue) common fixture lead to the white supply lead.
- c. Connect the (yellow/green) ground lead from the service by hooking it around the green grounding screw .

TROUBLESHOOTING CHECKLIST

If the light does not work:

1. Check your power source.
2. Check electrical connections.