

**SAVE THESE INSTRUCTIONS!**

**READ CAREFULLY AND FOLLOW ALL INSTRUCTIONS FOR YOUR OWN SAFETY**

- **DISCONNECT AC POWER SUPPLY BEFORE SERVICING.**
- Installation and servicing of this equipment should be performed by qualified service personnel only.
- Ensure the electricity connections conform to the National Electrical Code and local regulations if applicable.
- Do not mount near gas or electrical heaters.
- Equipment should be mounted in locations and at heights where it will not readily be subjected to tampering by unauthorized personnel.
- The use of accessory equipment not recommended by the manufacturer may cause an unsafe condition. Any modification or use of non-original components will void the warranty and product liability.
- Do not use this equipment for other than intended use.

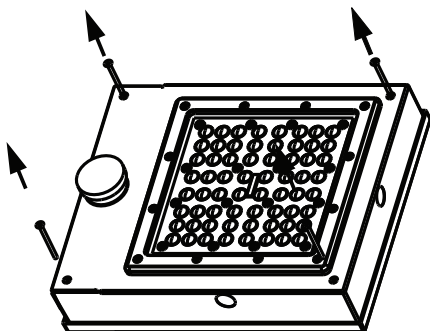


**INSTALLATION INSTRUCTIONS**

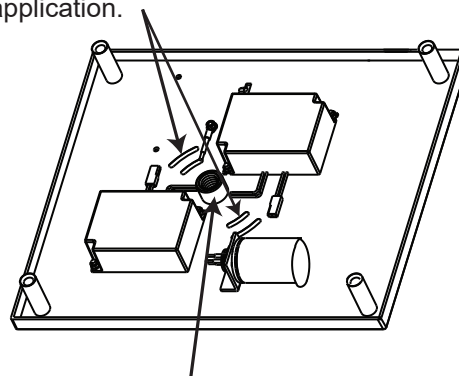
The LED Canopy light is designed to be mounted to a recessed J-box on ceiling wall or can be pendant mounted using optional pendant mount adapter. Please consult with your lighting designer to obtain the optimum installation location.

**Note:** The TLED-SC is not designed to be wired using surface mounted conduit.

**1:** Remove 4 cover plate screws and disconnect LED driver connectors.

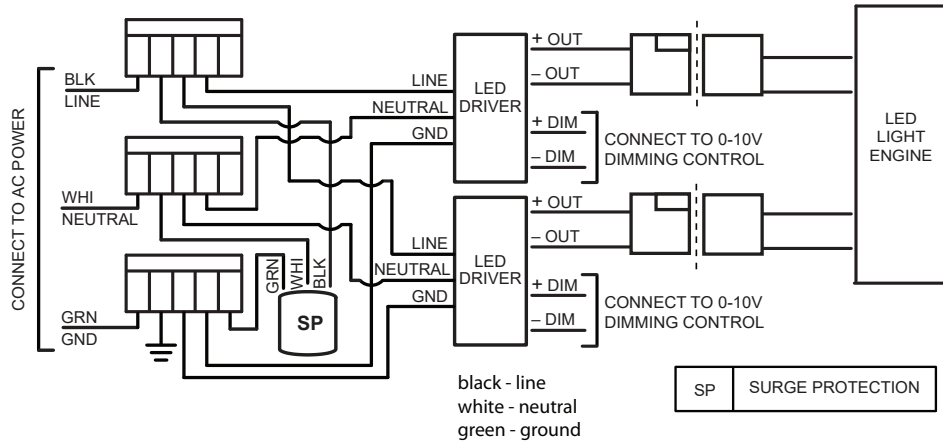


**2:** Mount cover plate to junction box using the provided slots. Use appropriate hardware for application.

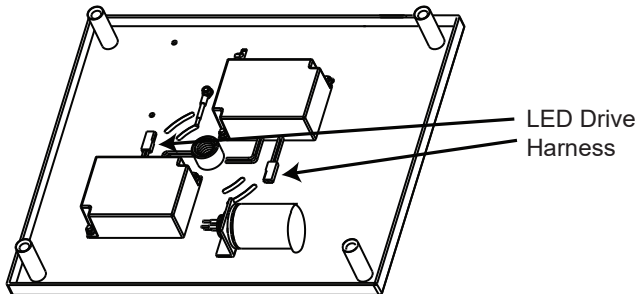


Electrical wire opening or Pendant mount hole.

3: Electrical connection should be made inside junction box. Cap all unused leads to prevent shorting.  
This fixture auto adjusts for voltages between 120VAC - 277VAC.



4: Connect the LED driver harness(s) to the LED light engine.



**WARNING!**  
Do not allow the TLED-SC to hang from the harness. This may cause damage to the circuit.

5: Mount bottom enclosure to the cover plate with 4 screws.

## OPERATION

The LED Canopy requires no special handling. Power “ON” or power “Cycle” requirements. We do recommend routine inspections to visually verify that the fixtures are “ON” and emitting light. Any unit that is not functioning should be inspected and repaired or replaced.

## TROUBLE SHOOTING

Canopy does not turn “ON”

1. Check incoming voltage to LED driver. Must be at least a minimum of 120VAC and no greater than 277VAC.
2. Are all the LEDs on the light engine “OFF”? If so, LED driver may be defective. Using a voltmeter, check to see if voltage is present at the output of power supply. If low or no voltage, then replace power supply.
3. If any individual LEDs are “OFF” the LED light engine is defective. Please have the serial number off the light engine available when you contact technical support.