

**DESCRIPTION**

TRACE\*LITE's TLED-XPF Extreme Performance series floodlight combines the significant energy savings of solid state (SSL) LED lighting and the precise beam control needed for high performance lighting applications. Equipped with 0-10V dimming drivers for optimized control and savings, the elegant and aerodynamic low profile aluminum housing incorporates a unique, efficient heat sink that provides excellent thermal management required by the high wattage LED light engine. Precision optical lenses combined with a high performance, high wattage LED light engines provide a leading edge, energy saving alternative to traditional HID floodlights. The TLED-XPF series has been engineered to provide an LED luminaire that delivers concise and consistent optical performance, significant energy savings and over a tenfold increase in longevity over traditional MH lamps, all in an attractive and durable housing. Applications include area and site lighting, or floodlighting in any area where a durable, reliable fixture is demanded, including natatorium.

**SPECIFICATIONS**

**Construction:**

The TLED-XPF series has a precision designed aluminum housing with integrated thermal management, integrally mounted drivers and stainless steel hardware which facilitates optimum performance and durability of the LED light engine. The low profile of the luminaire provides flexibility for mounting and targeting at the application site, which adds to the savings already created by the reduced power consumption. The TLED-XPF is completely sealed and gasketed, ideal for wet locations, and is driven by IP65 rated, switching mode, dimmable drivers. The LED light engine and optic lenses are protected by a sturdy aluminum frame with clear tempered glass lenses that are secured with stainless steel hardware. The TLED-XPF also incorporates a UV resistant, long lasting, polyester based powder coated finish.

**Optics:**

The TLED-XPF series delivers exceptional light quality, with 5000K or 5700K CCT, a CRI of ≥70 and a projected color shift of less than 1%. The TLED-XPF LED light engine and optical lens combinations are specifically designed to distribute light in both the vertical and horizontal angles with a very specific beam pattern. Tight control of the light distribution not only puts light where it is needed in the most efficient way possible, but it also eliminates the need for glare visors and spill control reflectors. Optical options include lenses with either 15°, 30°, 60°, 90° or 135° beam angles to customize performance for the application.

**Electrical:**

A choice of performance levels is available in the TLED-XPF series. Available performance packages include 220W (100 LEDs), 440W (200 LEDs) and 600W (300 LEDs) units delivering up to 91 lumens per watt depending on optics selections. Utilizing Luxeon Rebel ES modules, the 600 watt unit generates as high as 53,887 initial delivered lumens utilizing a tight 15° beam focus. See chart on page 2 for additional performance examples. The TLED-XPF LED light engine wattages are powered by industry leading Meanwell IP65 rated enclosed constant current control dimmable drivers. LED modules provide a 50,000 hour rated life with 70% lumen maintenance, a 5000K or 5700K CCT, and a CRI of ≥70 (Tj 135C). All drivers are Class 2 switching power supplies with voltage sensing input (90~305VAC), 50/60Hz, a Class B EMI rating and a high power factor of ≥0.95. The TLED-XPF is suitable for operation in -40°F to 104°F (-40°C to 40°C) ambient conditions. Derating can be provided for alternative operating temperature ranges.

**Thermal Management:**

LED light engines and drivers are securely mounted directly to the die-cast aluminum housing which has an integrated, finned heatsink, optimizing thermal management. LEDLITE<sup>logic</sup> heat sinking technology moves heat away from the LEDs, maximizing system performance and delivering 50,000+ hour life with >70% lumen maintenance.

**Environmentally Friendly Design:**

TLED-XPF luminaires consume very little energy and provide long life in comparison to traditional lamp technologies. The TLED-XPF is RoHS compliant and provides a significant reduction in KW load and carbon emissions.

**Installation:**

The TLED-XPF series features a heavy duty mounting yoke with angle indicators standard to allow for easy installation and aiming. A high quality slipfitter is also available. Drivers are mounted within a wet location enclosure compartment integral to the fixture.

**Corrosion Resistant Option (CR):**

Unit will be supplied with corrosion resistant paint, stainless steel hardware and LED boards & gaskets are treated with a chlorine inhibitor. Suitable for natatorium applications.

Model: \_\_\_\_\_ Date: \_\_\_\_\_  
 Accessories: \_\_\_\_\_  
 Job Name: \_\_\_\_\_ Type: \_\_\_\_\_



Show with optional Heavy Duty Slipfitter (SF)



Specs at a Glance*			
<b>Wattage (w)</b>	220	440	600
<b>Lumens (lm)</b>	20,217	44,000	53,887
<b>Efficacy (LPW)</b>	91	88	88
<b>CCT</b>	5000K or 5700K		
<b>CRI</b>	≥70		
<b>Optics</b>	15°, 30°, 60°, 90°, 135° Beam Angles		
<b>Input Voltage</b>	120~277 Voltage Sensing		
<b>Warranty</b>	Five Years		
<b>Certifications</b>	Suitable for Wet Locations, IP65, RoHS		
<b>Ambient Temp</b>	-40°C to 40°C (-40°F to 104°F)		

\* 5000K CCT tested

**Heavy Duty Slipfitter (SF):**

Unit is built with a heavy duty slipfitter, suitable for 2 3/8" O.D. arms/tenon to slipfit over 4 1/2" length. 220W and 440W has a maximum tilt of 15° and 600W has a maximum tilt of 20° with this option.

**Testing & Compliance:**

The reliability and performance of the TLED-XPF is evaluated in accordance with the parameters outlined and reported by LM-79 and LM-80 documents. Photometric data is tested to IESNA LM-79-08 standard by an independent testing laboratory. Lumen maintenance, or L70, a measure of long term reliability, is determined for the light source, which consists of the LED and PSB sub-assembly as installed in the luminaire, using LM-80 in-situ thermal and reliability data as provided by the LED manufacturer in accordance with DOE/EPA standards.

**Warranty:**

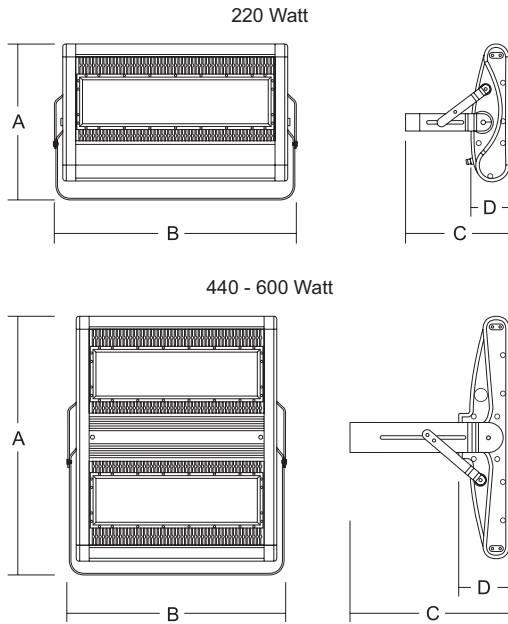
Any component that fails due to manufacturer's defect is guaranteed for five years. The warranty does not cover physical damage, abuse or instances of uncontrollable natural forces. Manufacturer reserves the right to charge for such repairs if deemed necessary.

## Fixture Performance

Part Number	Lumens (15° Optics)	Lumens Per Watt (LPW)	Total Watts
TLED-XPF-220-50K-15	20217	91	222.9
TLED-XPF-440-50K-15	44000	88	445.3
TLED-XPF-600-57K-15	53887	88	613.8

NOTE: Lumen maintenance and life (part of LM-80 data) are per published information from primary LED suppliers and is based on design operation at their specified thermal management and electrical design parameters.

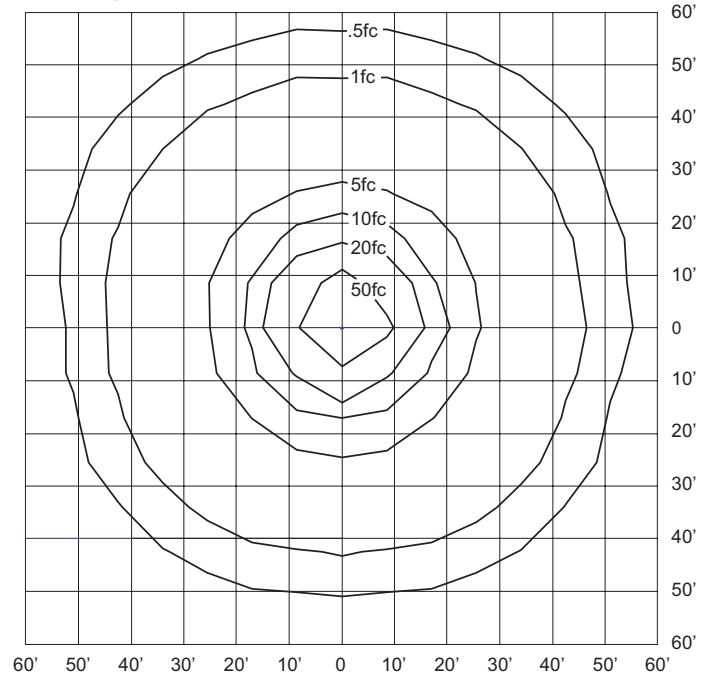
## Dimensions



Wattage	A	B	C	D	Weight	EPA
220W	14.41"	20.00"	9.6"	3.58"	19.38 lbs	0.5
440W	23.86"	22.50"	14.53"	4.61"	44 lbs	0.9
600W	23.86"	31.93"	14.53"	4.61"	62.63 lbs	1.2

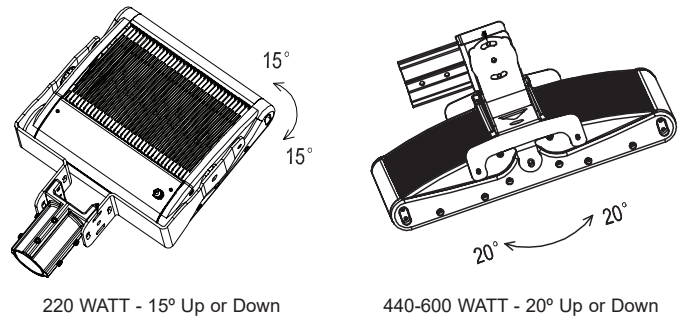
## Sample Photometrics

TLED-XPF-600-57K-15D  
MOUNTING HEIGHT: 50 FEET  
TILT: ZERO



Optic	15D	30D	60D	135DS/135DA
IES NEMA Type	3H x 3V	4H x 4V	6H x 6V	7H x 7V

## Tilt Adjustment With Heavy Duty Slipfitter



## Ordering Information

Example: TLED-XPF-600-57K-15D-VS

Series	Nominal Wattage	CCT <sup>5</sup>	Optical	Input Voltage	Mounting Options
TLED-XPF	220 = 220 Watts	50K <sup>1</sup> = 5000K	15D = 15° Beam Angle	VS = 90~305VAC Voltage Sensing	BLANK = Heavy Duty Yoke
	440 = 440 Watts	57K <sup>2</sup> = 5700K	30D = 30° Beam Angle	347 <sup>3</sup> = 347VAC	CR = Corrosion Resistant for Natatorium Applications
	600 = 600 Watts	XXK <sup>6</sup> = XXXXK	60D = 60° Beam Angle	480 <sup>3</sup> = 480VAC	SF <sup>4</sup> = Heavy Duty Slipfitter
			90D = 90° Beam Angle		
			135DS = 135° x 60° Symmetric		
			135DA = 135° x 85° Asymmetric		

**Notes**

<sup>1</sup> 220 and 440 watt units only

<sup>2</sup> 600 watt units only

<sup>3</sup> Mounted in weatherproof box on the back of the unit. No 0-10V dimming available with this input voltage, not UL Listed product

<sup>4</sup> Replaces heavy duty yoke, factory installed

<sup>5</sup> Custom CCT available, consult factory

Specifications are subject to change without notice. Installation must be performed in accordance with Barron Lighting Group installation instructions.

10810298 REV5 02/19