

Attractive and easy to install, the VEX-G3 Series combines contemporary styling with quality LED illumination. Includes covers for both single- and double-face configurations.

Model: _____ Date: _____
 Accessories: _____
 Job Name: _____ Type: _____

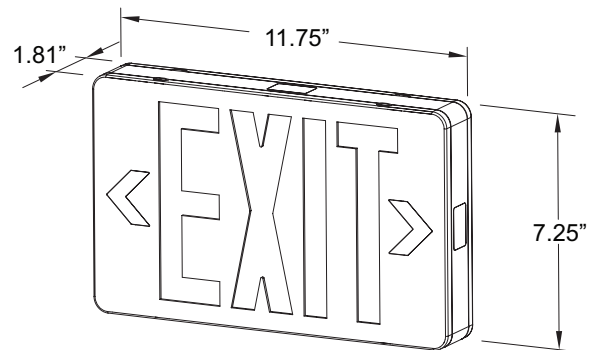
The **GUARDIAN G3** remote monitoring and reporting system from Exitronix simplifies code compliance and significantly reduces operating and maintenance costs by offering automated testing, remote monitoring and reporting of emergency fixture status from a centralized location. For standard fixtures without remote monitoring and reporting, [click here](#).

FEATURES & BENEFITS

- Includes GUARDIAN G3 self-test/self-diagnostics with remote monitoring and reporting
- Injection-molded UL 94 5VA flame-rated thermoplastic housing
- Universal single- or double-face
- Field-selectable directional chevron knockouts
- California Energy Commission (CEC) compliant

SPECIFICATIONS

- Illumination:** Long-life, high-intensity, red or green LEDs
- Housing:** Rugged, injection-molded UL 94 5VA flame-retardant, high-temperature thermoplastic housing
- Input:** 120/277VAC dual primary, 60Hz
- Battery:** Maintenance-free NiCad battery
- Operating Temp:** 10°C to 40°C (50°F to 104°F)
- Run Time:** UL Listed 90 minute emergency run time, 24 hour recharge time
- Electrical:** Brownout protection, low voltage disconnect, overload disconnect, short circuit disconnect, solid state transfer
- Legend:** Fully-illuminated 6" characters with 3/4" stroke and field-selectable directional chevrons
- Mounting:** Ceiling, end or wall mounted, canopy included
- Finishes:** Black or White
- Certifications:** UL Listed for Damp Locations and meets or exceeds the following: NEC requirements and NFPA 101. California Energy Commission (CEC) compliant
- Warranty:** Any component that fails due to a manufacturing defect is guaranteed for five years with a separate three year prorated warranty on the battery. The warranty does not cover physical damage, abuse or instances of uncontrollable natural forces. See the full Exitronix warranty document for detailed information. (Terms and Conditions apply)



ORDERING INFORMATION Example: VEX-U-WB-WH-G3 For standard fixtures without remote monitoring and reporting, [click here](#).

Series	Style	Power Source	Finish	Self-test/Self-diagnostics
VEX = Red	U ¹ = Universal	WB = NiCad Battery	BL = Black	G3 ² = Self-test/Self-diagnostics, Remote Monitoring and Reporting
GVEX = Green			WH = White	G3PRO ^{2,3} - Self-test/Self-diagnostics, Remote Monitoring and Reporting w/Automated Email Notifications
				Accessories⁴ (Field installed, order as separate line item)
				GTWY-PRIMARY - Primary Remote Reporting Gateway
				GTWY-SECONDARY - Secondary Remote Gateway, Extends Range
				ROUTER - Wireless Internet Router
				TAB10 - 10" Tablet, Includes Guardian G3 Software
				TAB12 - 12" Tablet, Includes Guardian G3 Software
Notes				
¹ Universal includes second exit face and backplate	WALLBRKXX - Tablet Wall Bracket (XX = Specify 10" or 12" Tablet)			
² Requires additional equipment, consult factory for details	WALLBRK-LOCKXX - Locking Wall Bracket (XX = Specify 10" or 12" Tablet)			
³ Requires internet connection, supplied by facility	STANDBRKXX - Tablet Stand (XX = Specify 10" or 12" Tablet)			
⁴ Order as separate line item	STANDBRK-LOCKXX - Locking Tablet Stand (XX = Specify 10" or 12" Tablet)			

ELECTRICAL RATINGS

Model	NiCad Battery	Brownout	Low Voltage Disconnect	Overload disconnect	Short Circuit Disconnect	Solid State Transfer	Input Rating			
							VAC	Hz	mA	W
(G)VEX-U-WB-XX-G3	3.6V 300mAh	Yes	Yes	Yes	Yes	Yes	120/277	60	30	2.5W

CONSTRUCTION

The VEX-G3 Series is constructed of a precision-molded housing utilizing 5VA flame-retardant, corrosion-proof thermoplastic. Units resist denting, peeling, scratching and corrosion. Black or White finish.

ILLUMINATION

Illumination of the VEX-G3 Series is achieved with high-output, long-lasting red or green LEDs. An exclusive color matched diffuser eliminates hot spots and striations, providing optimal light output. LEDs are a maintenance-free solution.

ELECTRICAL

Input

Dual-voltage input 120 or 277VAC @ 60Hz.

Nickel Cadmium Battery – NiCad

Extronix nickel cadmium batteries are maintenance-free.

Emergency

The VEX-G3 Series exit will operate for a minimum of 90 minutes during a loss of power with a 24 hour maximum recharge time for the battery.

Test Button

The test button is easy to locate and provides manual verification of the transfer circuit and emergency backup.

Damp Location Rated

Damp Location Rated fixture that is normally or periodically subject to condensation of moisture in, on or adjacent to, and includes partially protected locations.

INSTALLATION

Simple snap together universal design allows for faceplate and backplate to be fully interchangeable. Mounting canopy is supplied with all signs and snaps into enclosure with two positive locking tabs.

GUARDIAN G3 Self-test/Self-diagnostics, Remote Monitoring and Reporting

The circuit continuously monitors the operating condition of the AC power, battery supply voltage and charging circuit.

The purpose of this option is to provide visual signaling in response to a fault at the EXIT sign battery and/or battery charger. If a failure is detected, visual status will occur immediately via the dual color LED. Refer to instruction manual for detailed information.

The circuit also monitors the transfer circuit as well as performing automatic code compliance testing.

The GUARDIAN G3 remote monitoring and reporting system provides wireless communication between emergency fixtures, enabling maintenance personnel to maintain and test emergency lighting equipment from a central location. System requires additional equipment and setup, consult factory for more information.

GUARDIAN G3PRO Self-test/Self-diagnostics, Remote Monitoring and Reporting with Automated Email Notifications

The G3PRO model has the features of the standard G3 but adds automated email notifications of fixture status reports (requires internet connection, supplied by facility).

CONFORMANCE TO CODES & STANDARDS

The VEX-G3 Series is UL 924 Listed for Damp Locations, CEC compliant and meets or exceeds the following: UL 924, NEC requirements and NFPA 101.