



For the complete line of specialtyLED® products, visit us online at [barronltg.com](http://barronltg.com) or call 800.533.3948.

Model: \_\_\_\_\_ Date: \_\_\_\_\_  
Accessories: \_\_\_\_\_  
Job Name: \_\_\_\_\_ Type: \_\_\_\_\_

## XFMR-XX-35

35W · 12V OR 24 VSINGLE OUTPUT LED POWER SUPPLY

### FEATURES

- Constant voltage mode power supply
- Universal AC input/ Full range
- Protections: Short Circuit/ Over current / Over voltage
- Built-in active PFC function
- IP67 design for indoor or outdoor installations <sup>Note: 6</sup>
- Fully isolated plastic case
- Small and compact size
- UL1310 Class 2 power unit, pass LPS
- Cooling by free air convection
- 100% full load burn-in test
- High Reliability
- Suitable for LED lighting and moving sign applications
- Compliance to worldwide safety regulations for lighting <sup>Note: 5</sup>
- Suitable for dry/dam/wet locations
- 2 year warrant



### SPECIFICATION

	Model	XFMR-12-35	XFMR-24-35	
OUTPUT	DC VOLTAGE	12V	24V	
	RATED CURRENT	3A	1.5A	
	CURRENT RANGE	0 ~ 3A	0 ~ 1.5A	
	RATED POWER	36W	36W	
	RIPPLE & NOISE (max.) <sup>Note: 1</sup>	120mVp-p	120mVp-p	
	VOLTAGE TOLERANCE <sup>Note: 2</sup>	±5.0%		
	LINE REGULATION	1.0%		
	LOAD REGULATION	±2.0%		
	SETUP, RISE TIME <sup>Note: 3</sup>	500ms, 20ms/230VAC, 500ms, 20ms /115VAC at full load		
HOLD TIME (typ.)	50ms/230VAC, 16ms /115VAC at full load			
INPUT	VOLTAGE RANGE <sup>Note: 4</sup>	90 ~ 264VAC 127 ~ 370VDC		
	FREQUENCY RANGE	47 ~ 63Hz		
	EFFICIENCY(Typ.)	84%	85%	
	AC CURRENT	1.1A/115VAC 0.7A/230VAC		
	INRUSH CURRENT(max.)	COLD START 55A (twidth =510µs measured at 50% peak) at 230VAC		
	LEAKAGE CURRENT	0.25mA / 240VAC		
PROTECTION	OVERLOAD	110 ~ 150% rated output power Hiccup mode, recovers automatically after fault condition is removed		
	OVER VOLTAGE	13.8 ~ 16.2V	27.6 ~ 32.4V	
		Shut down o/p voltage, clamping by zener diode		
ENVIRONMENT	WORKING TEMP.	-22 ~ 149°F (Refer to "Derating curve")		
	WORKING HUMIDITY	20 ~ 90% RH non-condensing		
	STORAGE TEMP., HUMIDITY	-40 ~ 176°F , 10 ~ 95% RH		
	TEMP. COEFFICIENT	±0.03%/°F (32 ~ 122°F)		
	VIBRATION	10 ~ 500Hz, 2G 10min./1cycle, period for 60min. each along X, Y, Z axes		

SPECIFICATIONS ARE SUBJECT TO CHANGE WITHOUT NOTICE

SPECIFICATION (cont.)

	Model	XFMR-277-12-20	XFMR-277-24-20
SAFETY & EMC	SAFETY STANDARDS	UL1310, CAN/CSA C22.2 No. 223-M91, IP67 approved; design refer to TUV EN60950-1	
	WITHSTAND VOLTAGE	I/P-O/P:3KVAC	
	ISOLATION RESISTANCE	I/P-O/P:>100M Ohms / 500VDC / 77°F / 70% RH	
	EMC EMISSION	Compliance to EN55022 (CISPR22) Class B, EN61000-3-2 Class A, EN61000-3-3	
	EMC IMMUNITY	Compliance to EN61000-4-2,3,4,5,6,8,11, EN55024, light industry level, criteria A	
OTHERS	MTBF	743.5Khrs min. MIL-HDBK-217F (77°F)	
	DIMENSIONS	5.8in * 1.57in* 1.18in (L*W*H)	
	PACKING	0.75LBS; 40pcs/32LBS/0.63CUFT	

NOTES

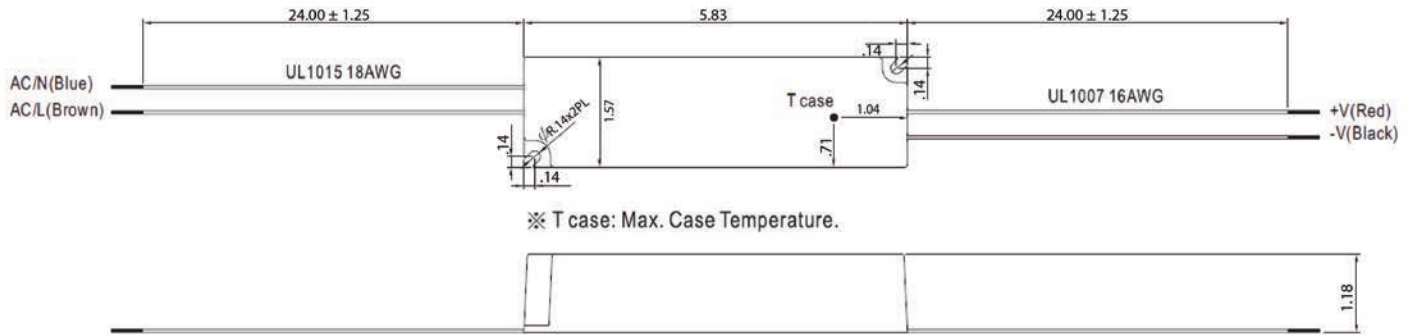
1. Ripple & noise are measured at 20MHz of bandwidth by using a 12" twisted pair-wire terminated with a 0.1uf & 47 uf parallel capacitor.
2. Tolerance: includes set up tolerance, line regulation and load regulation.
3. Length of set up time is measured at first cold start. Turning ON/OFF the power supply may lead to increase of the set up time.
4. Derating: may be needed under low input voltage, please check the static characteristic for more details.
5. The unit might not be suitable for lighting applications in EU countries. Please check with your local authorities for the possible use of the unit.
6. Suitable for indoor use or outdoor use without direct sunlight exposure. Please avoid immerse in the water over 30 minute.

ATTENTION

- All parameters NOT specifically mentioned are measured at 230VAC input, rated load and 77°F ambient temperature.
- The power supply is considered as a component that will be operated in combination with final equipment. Since EMC performance will be affected by the complete installation, the final equipment manufacturers must re-qualify EMC Directive on the complete installation again.
- Direct connecting to LEDs is suggested, but is not suitable for using additional drivers.

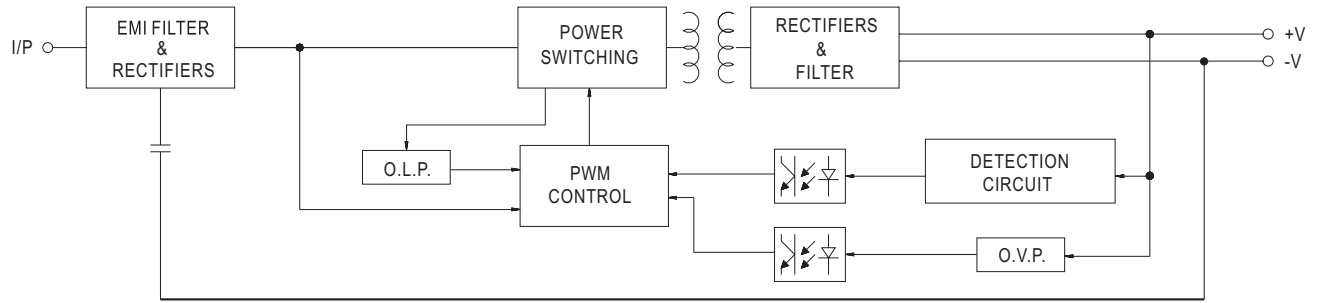
MECHANICAL SPECIFICATION

UNITS: INCHES

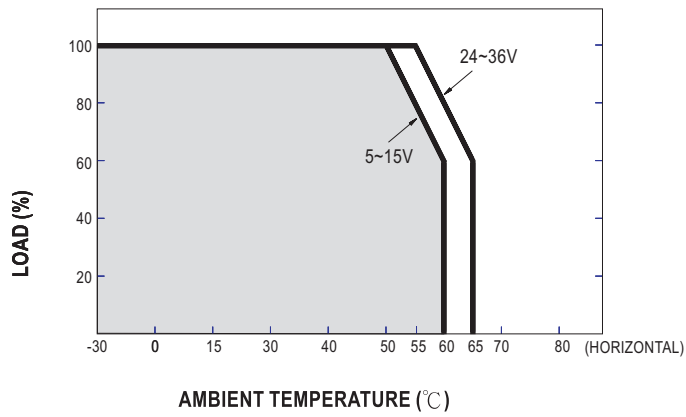


RECOMMENDED MOUNTING DIMENSION





DERATING CURVE



STATIC CHARACTERISTICS

